

VERSION: C
20170717

TBB7 User Manual



Contents

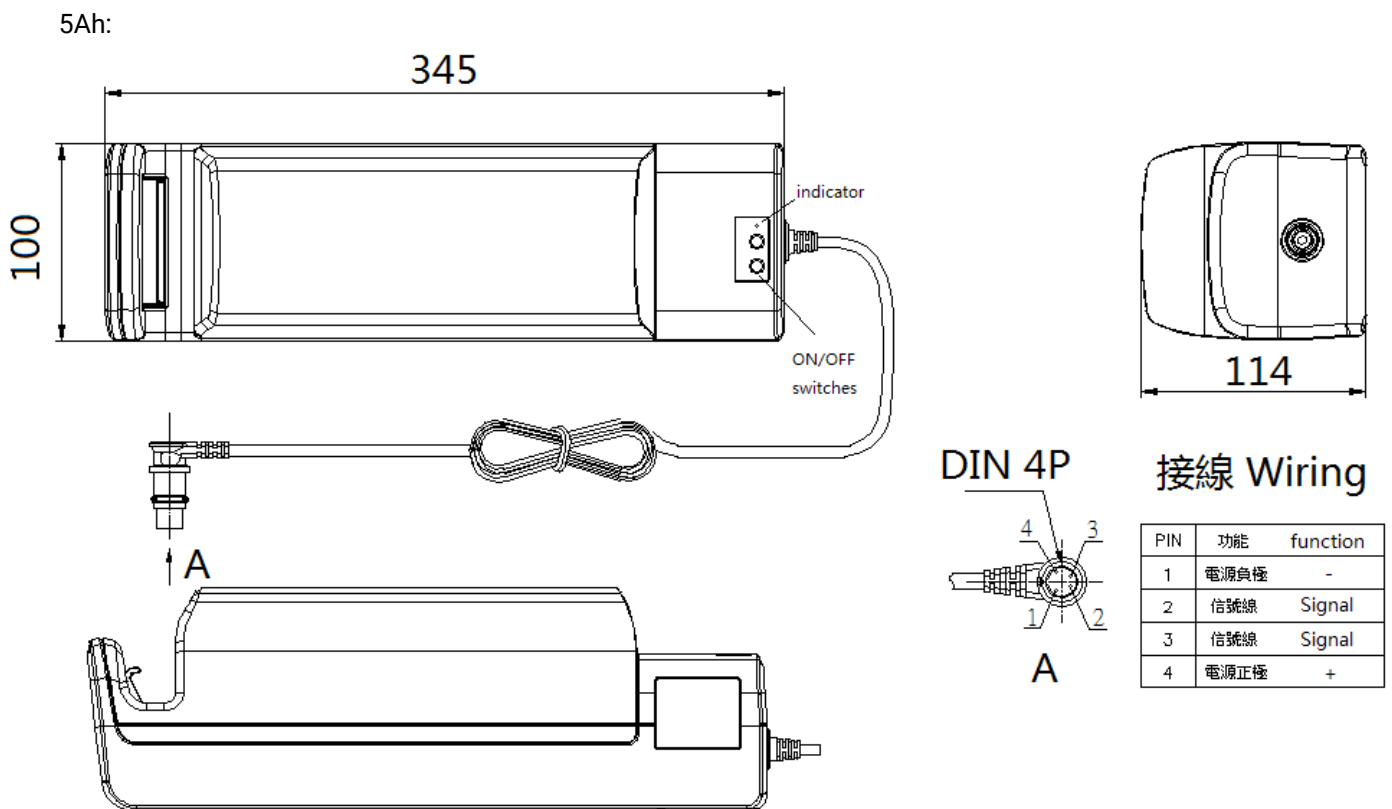
Contents	2
1. Warning	3
2. Specifications	4
3. Operation	6
4. Indications	6
4.1 Status.....	6
4.2 Table	6
4.3 Table (TP7C).....	6
4.4 Remarks	6
5. Installation	7
6. Protections	8
7. Maintenance	8
7.1 Storage 1	8
7.2 Transportation	8
7.3 Storage 2.....	8
7.4 Repair.....	8
8. Appendix	9
8.1 Discharge time curve	9
8.2 Cycle test curve.....	10

1.Warning

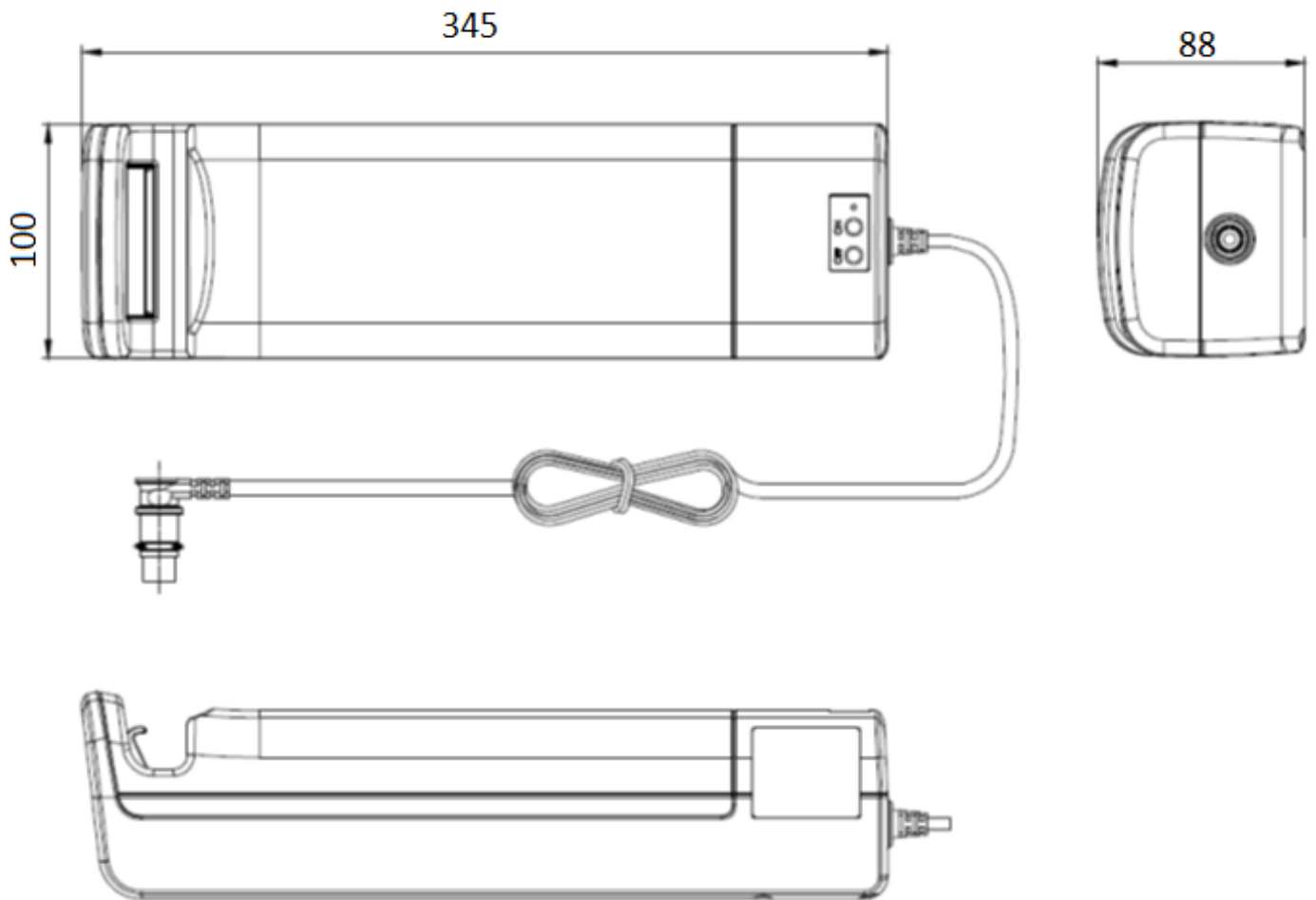
- Must follow the rated input voltage
- Don't discard or expose the products into water or heat source
- Recycle with certified depots
- Repair by authorized maintenance centers
- With certified charger from original manufactures

2. Specifications

Model name	TBB7	
Battery capacity	5.0Ah (0.1C discharge, 500mA)	2.9Ah (0.1C discharge, 290mA)
Input	29~45V DC	
Output	24V DC, 5.0A	24VDC, 2.9A
Duty cycle	10% (2 min on / 18 min off)	
Operation temperature	5~45°C	
IP rating	Up to IP66W	
Dimension	345 * 100 * 114 mm	345 * 100 * 88 mm
Net weight/pc	4.4kg	2.8kg
ON & OFF switches	With	
Socket for TP7C	With (optional)	



2.9Ah:



3. Operation

When there is no AC-in

Button	Operation	Action
ON	Press>1 sec	Turned on and discharging
OFF	Press>3 sec	Turned off and stop discharging

4. Indications

4.1 Status

Process	Status	
When charged	Hi charging	Charging
Discharging	Hi battery	Low battery
Others	Protection	Failure

4.2 Table

Status	Capacity	LED	
Hi charging	>80%	Green	Continuous on
Charging	<80%	Green	Short dimming (1 sec /1 sec)
Hi battery	>25%	Green	Long dimming (0.5 sec / 4 sec)
Low battery	<25%	Orange	Long dimming (0.5 sec / 4 sec)
Protection	<20%	-	Off
Failure	-	Orange	Continuous on

4.3 Table (TP7C)

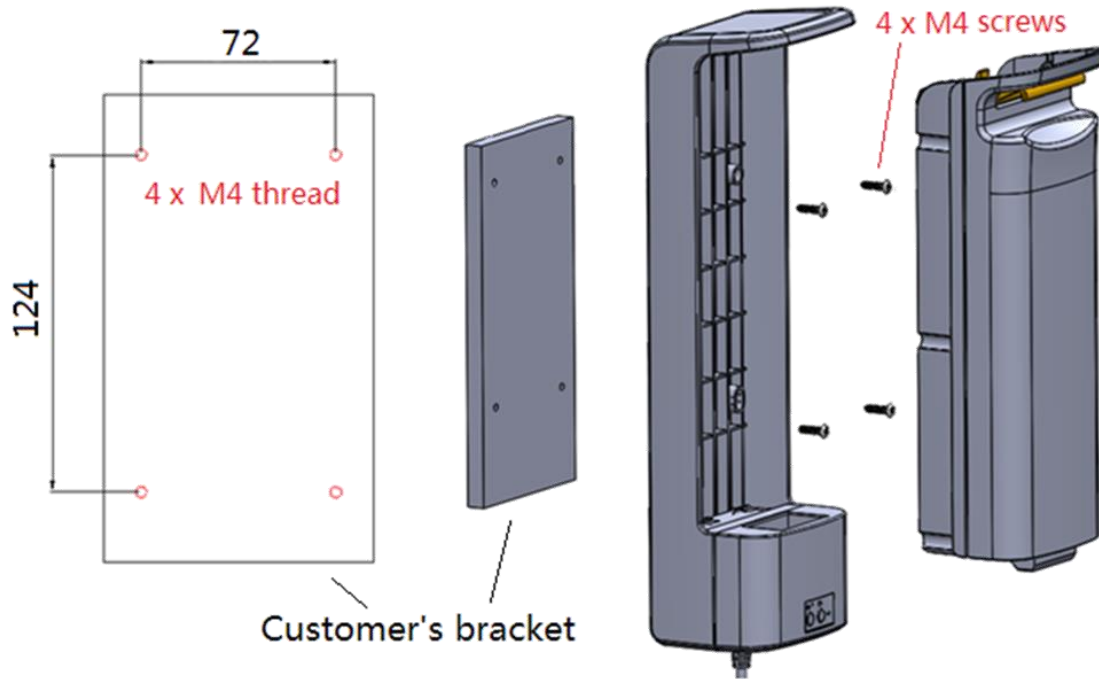
When charge by TP7C, TBB7 LED become off, and the status only shown on TP7C-

Status	Capacity	LED	
Hi charging	>80%	Green	continuous on
Charging	<80%	Orange	continuous on

4.4 Remarks

- From Hi charging status (around 80%) to fully charged (in warranty period > 90% max capacity), it needs around additional 10hrs charging
- When seeing the failure status indication- please liaise with the seller

5. Installation



6. Protections

Under below protection status- LED continuous off

Protection type	When	Lasting for
Discharge- Over current protect	Current > 10.0A	10 sec.
Discharge- Low voltage protect	Voltage <16.0VDC	15 sec.
Standby - Low voltage protect	Voltage <22.5VDC	10 min.

7. Maintenance

The product should be charged continuously at least 24hrs under following circumstances-

- First operation
- Before long period storage without AC-in
- First operation after long period storage

7.1 Storage 1

Storage period when without AC-in V.S estimated capacity (100% capacity when shipped out from factory)

Period (including shipping)	Capacity	Status
3 months	79%	Usable
6 months	58%	Please charge before use
>6 months	<58%	Too long storage period, battery capacity harmed * Be sure to charge 24hrs every 6 months least

7.2 Transportation

By sea or inland shipment

7.3 Storage 2

- Temperature: 0 ~40°C
- Humidity: 10% ~ 93%
- Atmosphere: 86KPa ~ 1006Kpa

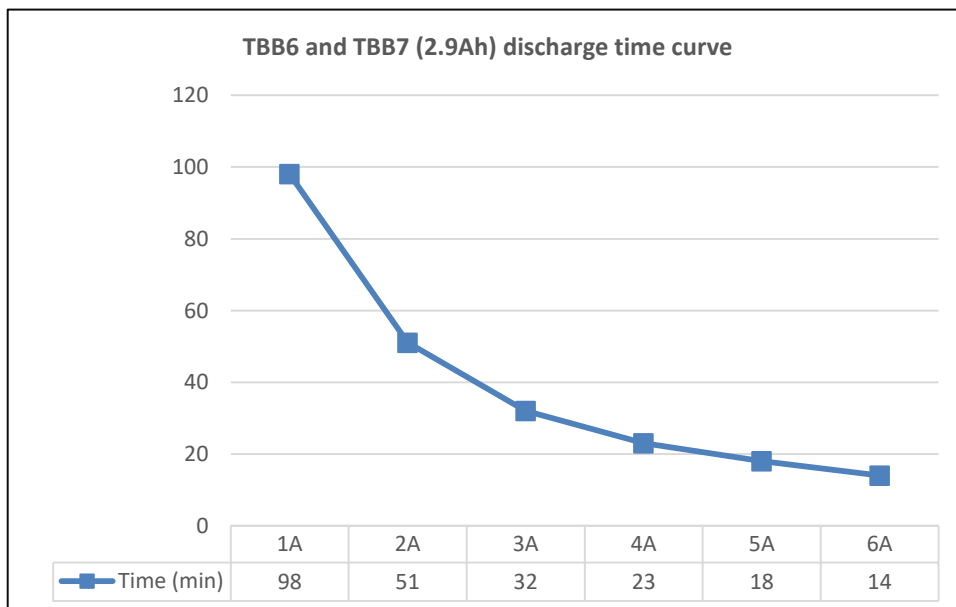
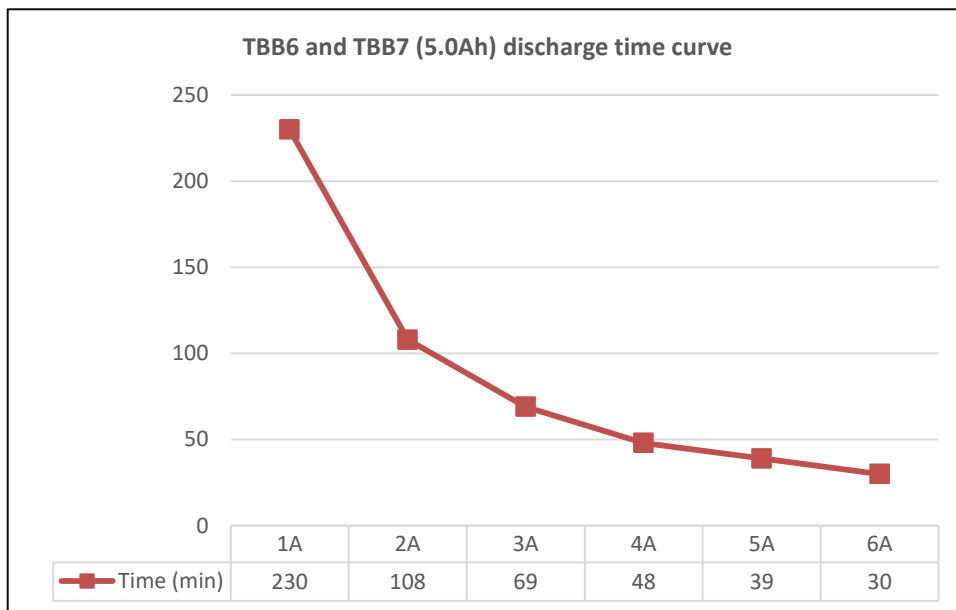
7.4 Repair

Same spec/dimension, lead-acid maintenance free battery cell. Please consult to the seller.

8. Appendix

8.1 Discharge time curve

Sample	12V battery cell
Status	From full capacity (100%) to protect (20%)
X axis	Discharge current (A)
Y axis	Discharge time (min)
Remark	In real situation the discharge varies- this test is only for reference



8.2 Cycle test curve

Sample	12V battery cell	Steps	1-49 th times	5.0Ah	2.9Ah
Cycle	300 times (memo each 50 th times)		Discharge for 2hrs	1250mA	720mA
X axis	Cycle (times)		Charge for 6hrs	500mA	290mA
Y axis	Max capacity (Ah)		50 th times	5.0Ah	2.9Ah
Remark	In real situation the discharge/ charge varies- this test is only for reference		Discharge until protect	1250mA	720mA
			Charge until max capacity	500mA	290mA
			*Repeat since 51 th times		

