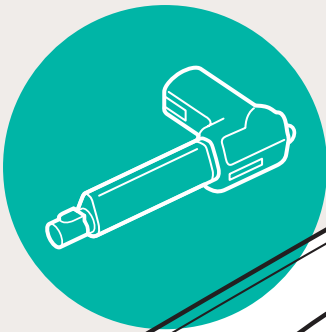


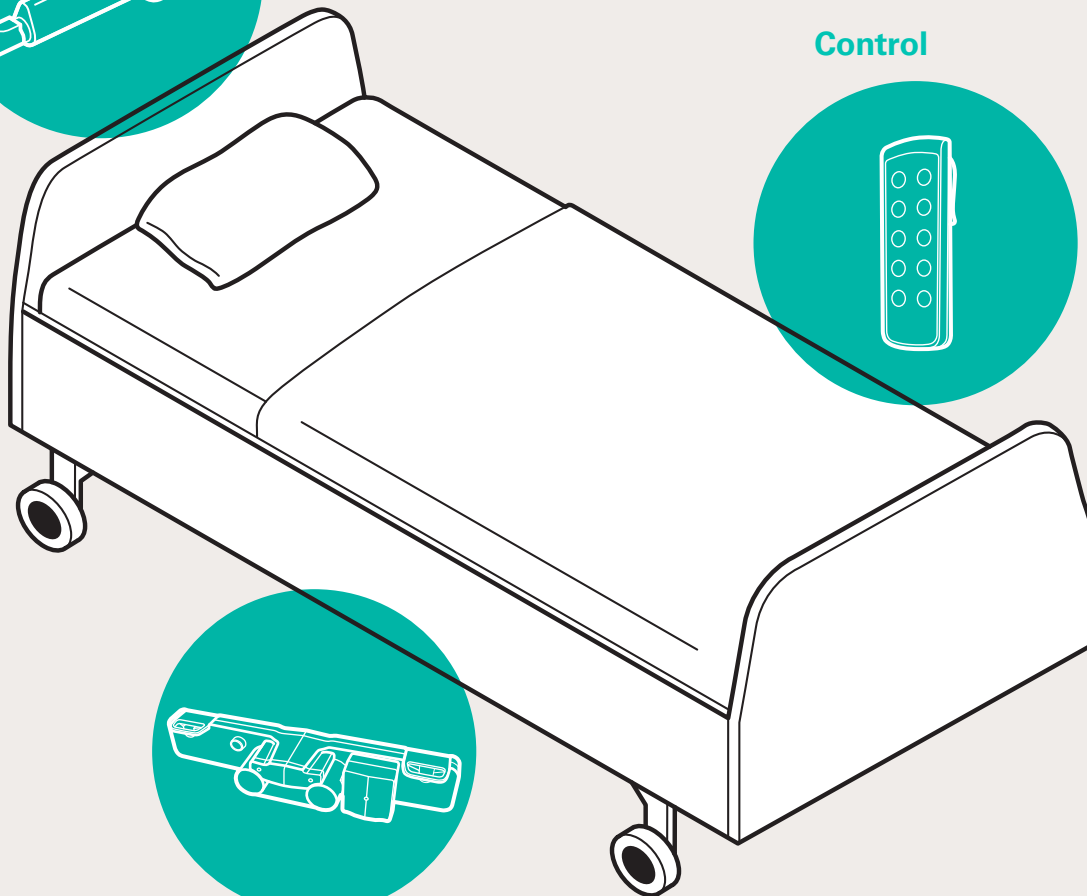
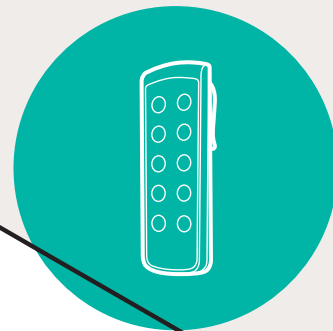
TWIN MOTOR SYSTEM for NURSING HOME BED APPLICATIONS

TiMOTION Provides Flexible,
Customized Products, and Tailor-made Solutions

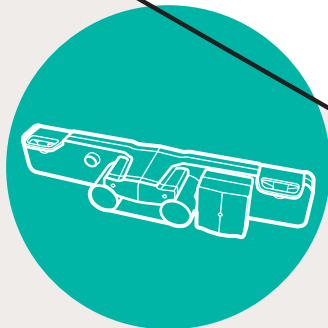
Actuator



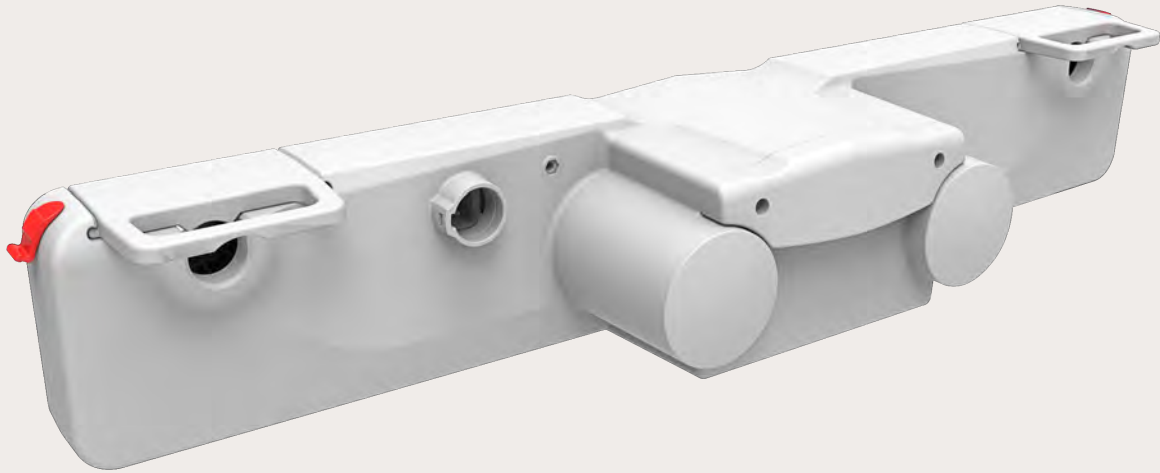
Control



Twin Motor



TT1-TWIN MOTOR

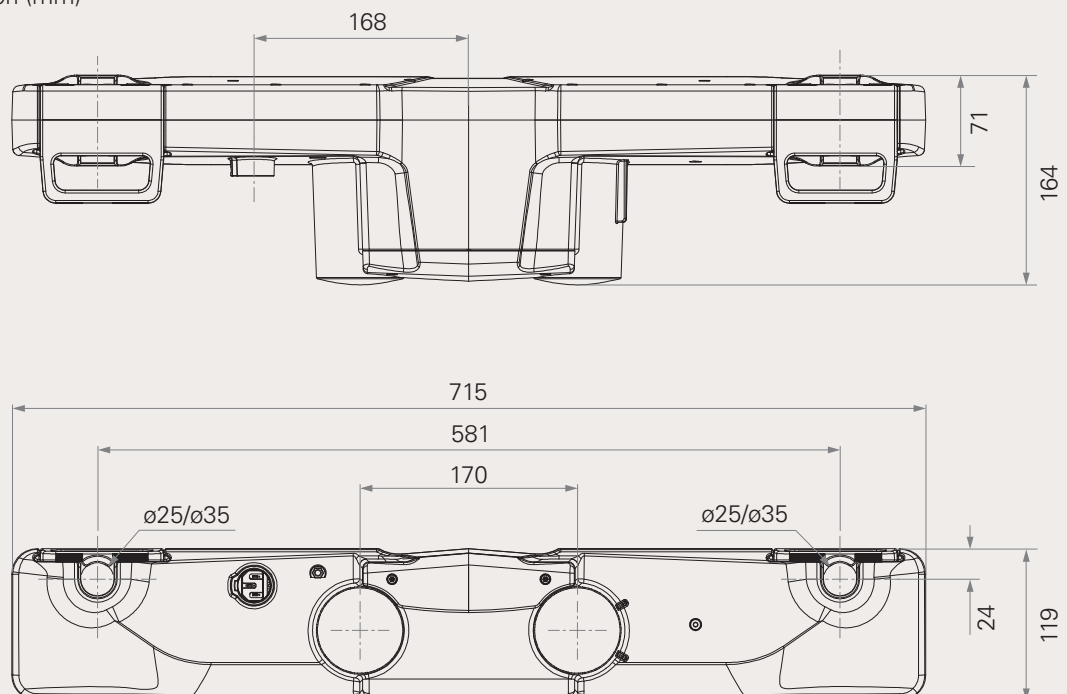


Cost-effective and Easy to Install

Our new and economical TT1 series twin spindle actuator is specifically designed for homecare and patient care facility beds. The TT1 electrical controls come standard with a range of voltages for use in multiple countries. The TT1 is equipped with SMPS and has standby power consumption. Its sophisticated housing design provides reliable mechanical stability as an alternative motor for a medical bed.

Drawing

Standard Dimension (mm)



TT1 Series

- Main voltage: 100~240V AC (input)
- Transformer type: SMPS (2.5A / 4A) or Toroidal (4A)
- Maximum load: 6,000N in push only
- Dimension between shaft: 581mm
- Maximum speed at full load: 4.6mm/s (with 6,000N in a push condition)
- Stroke: 87mm for backrest; 69mm for footrest
- Quick release option: handle or cable type
- Back-up battery option: 9V*3pcs battery or 1.2Ah rechargeable battery box

Load and Speed

CODE	Rated Load		Typical Current at Rated Load (A)	Typical Speed	
	PUSH N	PULL N		No Load (24V DC) mm/s	Rated Load (24V DC) mm/s
Motor Speed (2600RPM)					
D	6000	0	3.5	5.2	3.5
Motor Speed (3400RPM)					
B	6000	0	3.5	6.8	4.6

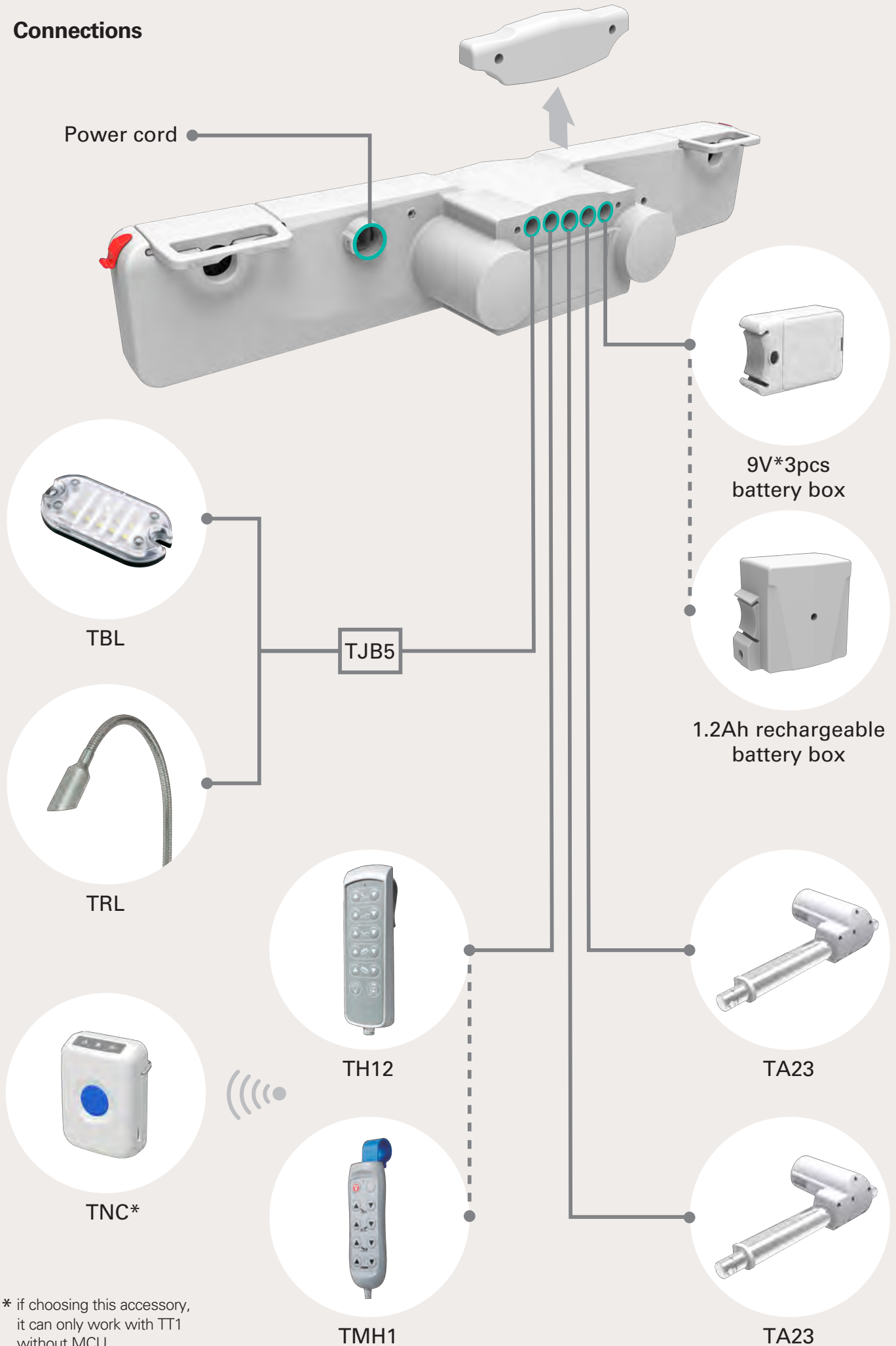
TT1 Ordering Key

TT1

Version: 20141112-E

<input type="checkbox"/>	Voltage	1 = 100V AC	4 = 100-240V AC	
<input type="checkbox"/>	Motor	2 = 24V		
<input type="checkbox"/>	Load and Speed	See appendix		
<input type="checkbox"/>	Plug	1 = EU 2 = US	3 = AUS 4 = UK	5 = JPN A = Others
<input type="checkbox"/>	Axle Diameter	1 = \varnothing 25mm Note : axle distance 581mm	2 = \varnothing 35mm	
<input type="checkbox"/>	Stroke	1 = Back rest 87mm, leg rest 69mm		
<input type="checkbox"/>	Color	2 = Grey (Pantone 428C)		
<input type="checkbox"/>	IP Rating	1 = Without	2 = IPX6 Note : please follow TiMOTION standard installation guide	
<input type="checkbox"/>	Quick Release	0 = Without	1 = Handle	2 = Cable
<input type="checkbox"/>	Output Signals	0 = Without		
<input type="checkbox"/>	Extra Channels for Motors	0 = 0	1 = 1	2 = 2
<input type="checkbox"/>	Extra Channels for Controls	1 = 1	2 = 2	
<input type="checkbox"/>	Cable Length	2 = Straight, 4000mm	A = Customized	
<input type="checkbox"/>	Ground	0 = Without	1 = With Note : #0 the cable uses 2pin plug; #1 the cable uses 3pin plug	
<input type="checkbox"/>	Transformer Type	2 = SMPS (2.5A)	3 = SMPS (4A)	4 = Toroidal (4A)
<input type="checkbox"/>	Back-up Battery	0 = Without	1 = 9V*3pcs battery	2 = 1.2Ah rechargeable battery box

Connections



Quick Release

· Handle Type

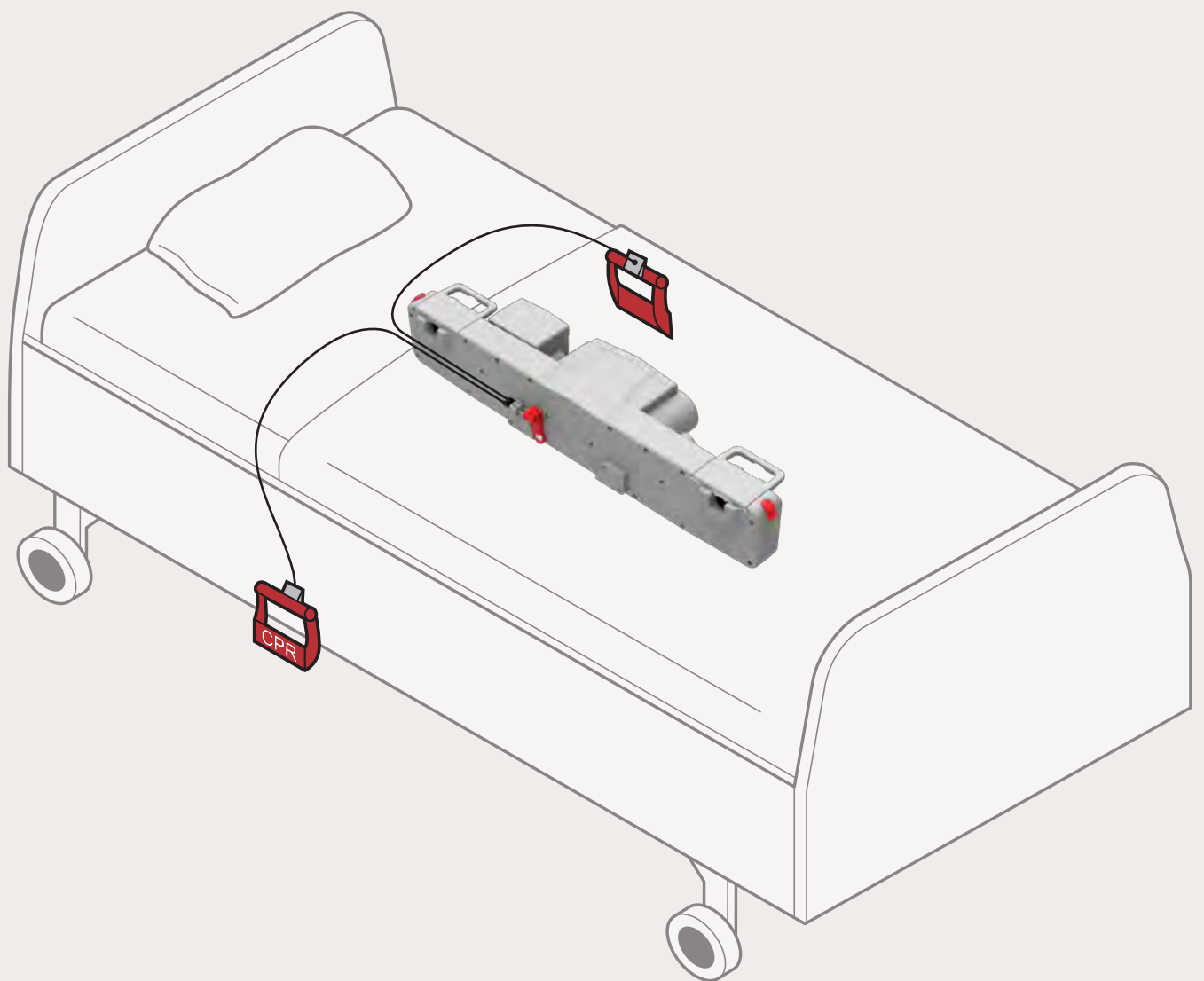
· Cable Type

Lock

Release

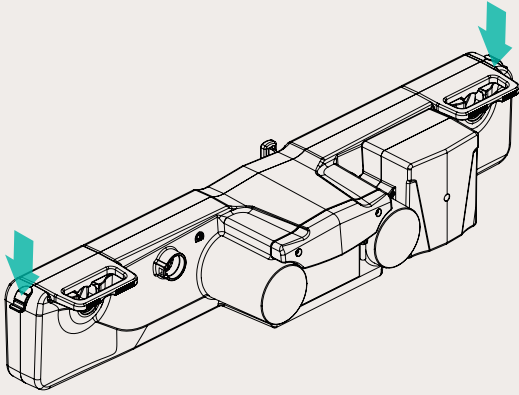
Lock

Release

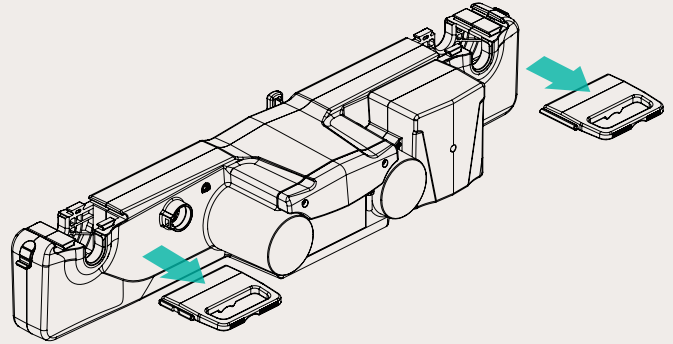


Installation Guide

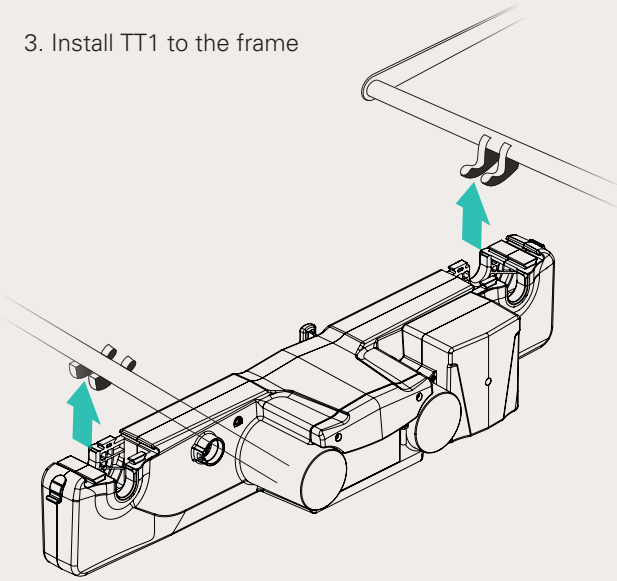
1. Unlock the safety lock and remove the fixed cap



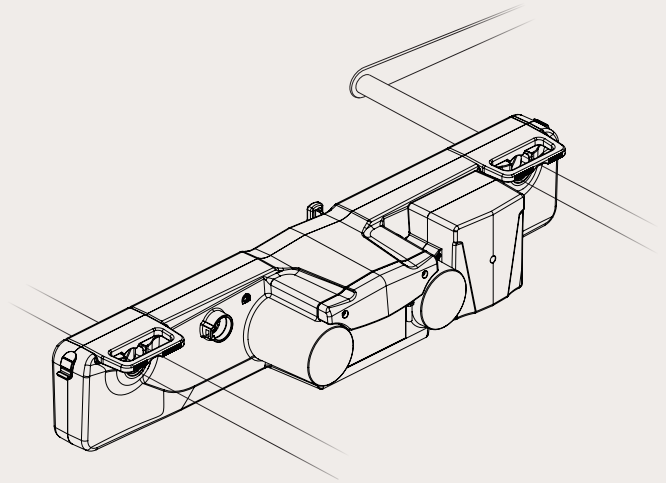
2. Remove the cover



3. Install TT1 to the frame



4. Reinstall the cover



Headquarters

TiMOTION Technology Co., Ltd.

Tel +886 2 2219 6633

Email sales.tw@timotion.com

Dongguan

Tel +86 769 8706 2055

Email sales.tw@timotion.com

Kunshan

Tel +86 512 5526 0735

Email sales.tw@timotion.com

Japan

Tel 81 6 6713 1188

Email sales.jp@timotion.com

Europe

Tel +33 (0)1 74 82 50 51

Email sales.eu@timotion.com

Korea

Tel +82 031 745 1060

Email sales.kr@timotion.com

USA

Toll Free (855) 235 1424

Email sales.us@timotion.com