

Y cable

# TYC

series



---

## Product Segments

- **Care Motion**
- **Comfort Motion**
- **Ergo Motion**
- **Industrial Motion**

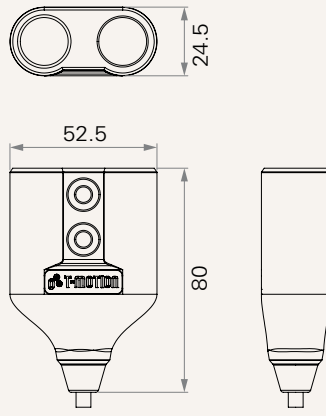
---

## General Features

Extension cable for multiple hand controls/motors  
Compact design

**Drawing**

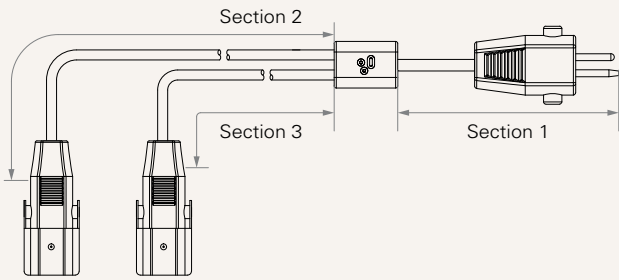
Standard Dimensions  
(mm)



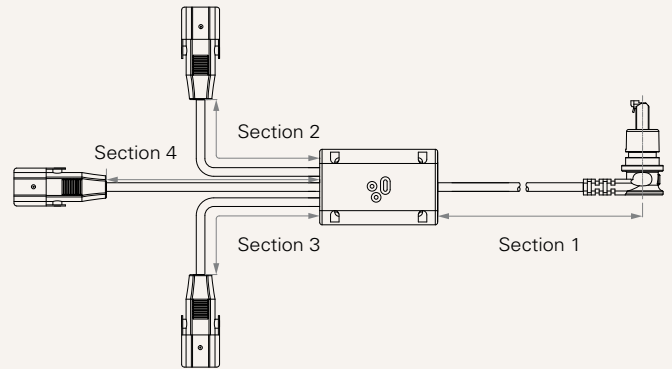
<b>Cable Inlet / Outlet Type</b>	2 = 1 inlet 2 outlets	3 = 1 inlet 3 outlets	
<b>Color</b>	1 = Black	2 = Grey (Pantone 428C)	
<b>Connector</b>	X = Tinned leads	0 = Female (socket)	1 = Male (plug)
<b>Connector Angle</b>	0 = Tinned leads	1 = 90°	2 = 180°
<b>Connector Type</b>	1 = DIN 4P 2 = Long DIN 5P (240°) 3 = Short DIN 5P (180°) 4 = DIN 6P	5 = DIN 8P (270°) 6 = Big 01P 7 = Small 01P 8 = RJ 10P	E = Molex 8P F = Flat RJ 10P X = Tinned leads B = Small 01P, with installation hole
<b>O Ring (for Male Connector)</b>	0 = Without 1 = Red (without MCU)	2 = Yellow (with MCU) 3 = Blue	4 = Black 5 = White
<b>Anti Pulling Clip (for Female Connector)</b>	0 = without	1 = with	
<b>Cable Length (mm)</b>	1 = 100 2 = 200 3 = 300	4 = 400 5 = 500 6 = 600	7 = 700 8 = 800 9 = 900

## Cable Inlet / Outlet Type

2 = 1 inlet 2 outlets



3 = 1 inlet 3 outlets



## Terms of Use

The user is responsible for determining the suitability of TiMOTION products for a specific application. TiMOTION products are subject to change without prior notice.