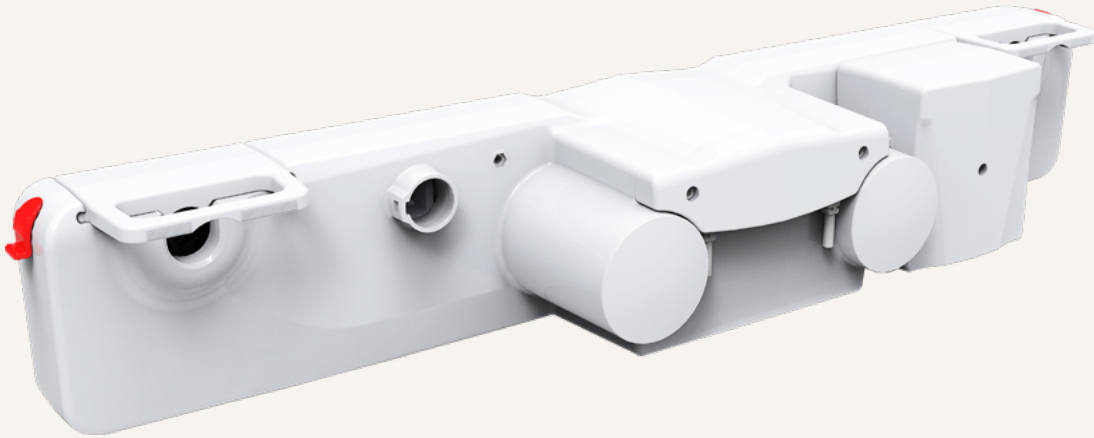


TT1

series



Product Segments

- **Care Motion**

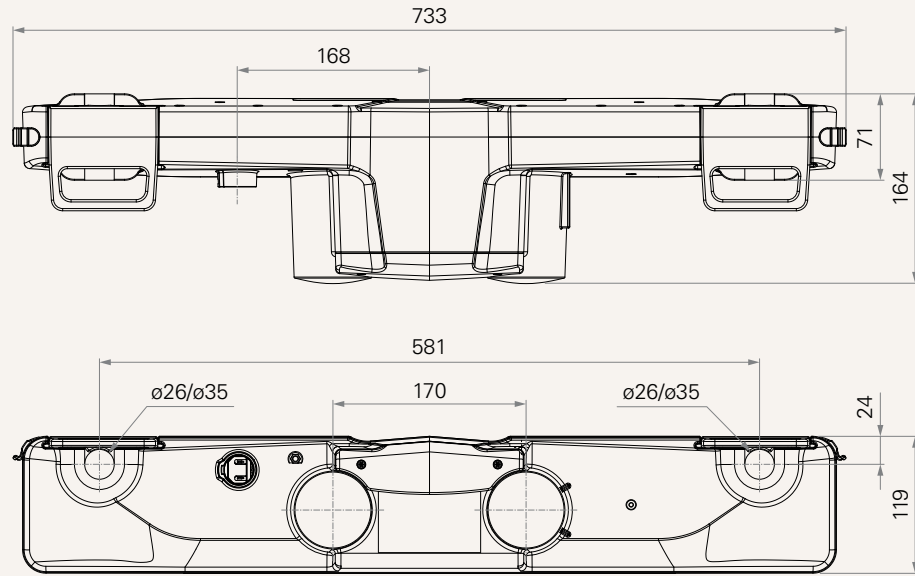
TiMOTION's economical TT1 series twin spindle actuator is specifically designed for home care and patient care facility beds. The TT1 electrical controls come standard with a range of voltages for use in multiple countries. It is also equipped with a SMPS transformer and has less than 0.5W of standby power consumption. A sophisticated housing design, with reliable mechanical stability, provides an alternative motor solution for various medical beds.

General Features

Main voltage	100~240V AC (input); SMPS 29V DC, 2.5A (output)
Max load	6,000N in push only
Dimension between shaft	581mm
Maximum speed at full load	4.6mm/s (with 6,000N in a push condition)
Stroke	87mm for backrest; 69mm for footrest
Certificate	IEC60601-1-2

Drawing

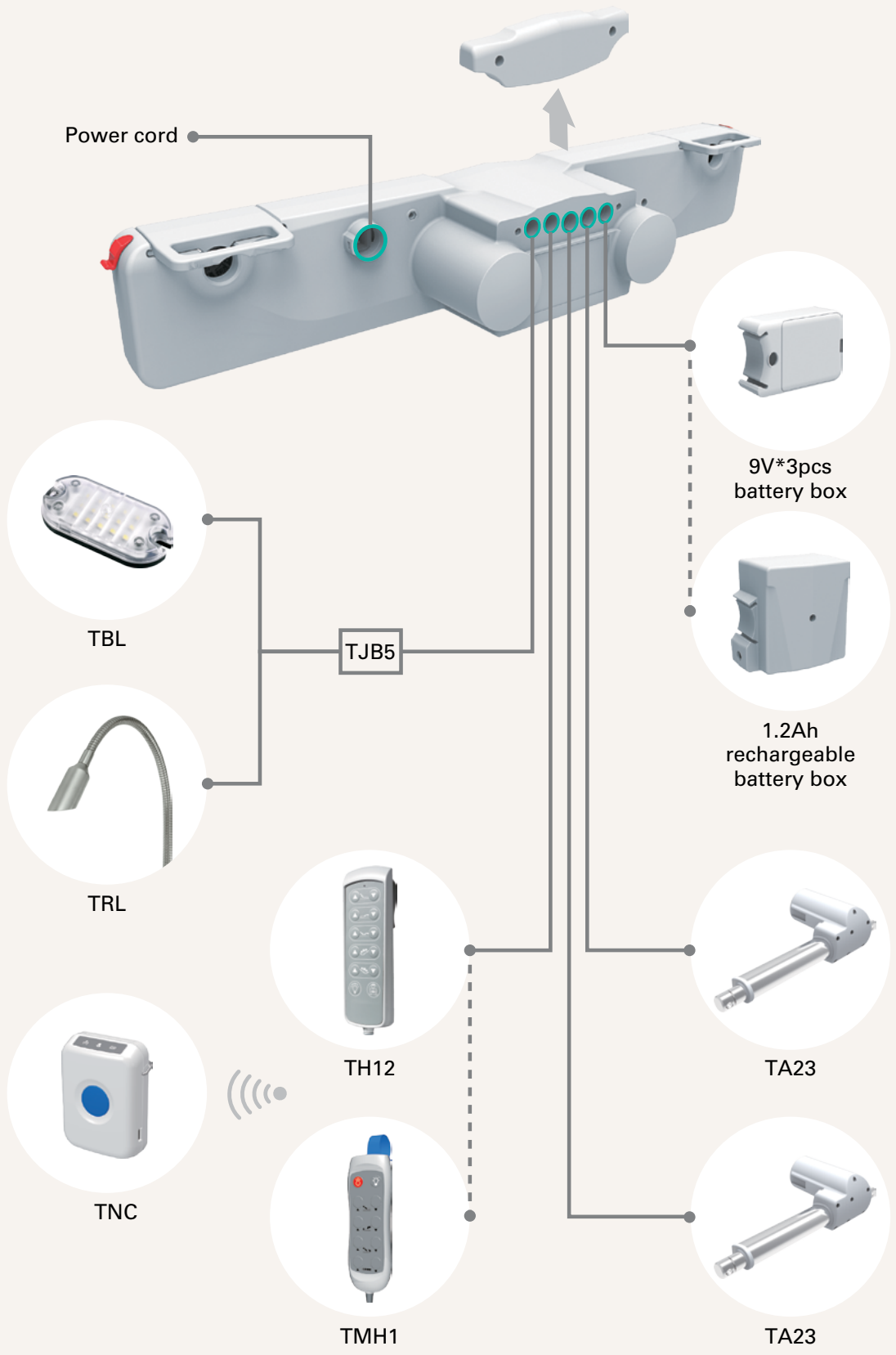
Standard Dimensions
(mm)



Load and Speed

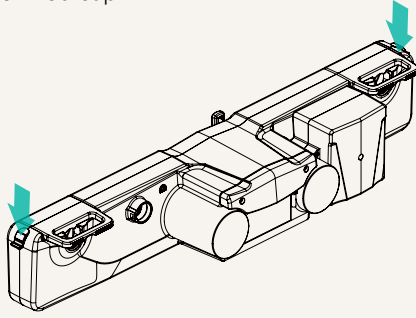
CODE	Load (N)		Typical Current at Rated Load (A)	Typical Speed (mm/s)	
	Push	Pull		No Load 32V DC	With Load 24V DC
Motor Speed (2600RPM, Duty Cycle 10%)					
D	6000	0	3.5	5.2	3.5
Motor Speed (3400RPM, Duty Cycle 10%)					
B	6000	0	3.5	6.8	4.6

Connections

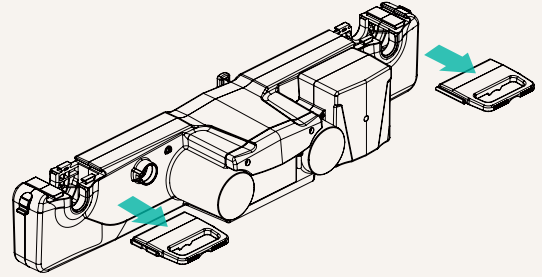


Installation Guide

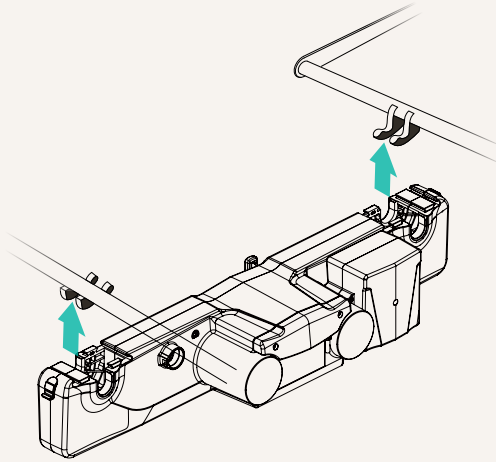
1 Unlock the safety lock and remove the fixed cap



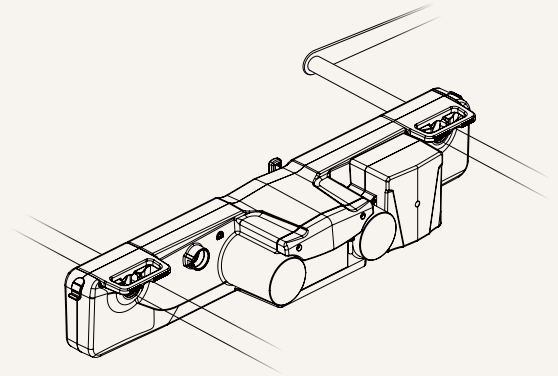
2 Remove the cover



3 Install TT1 to the frame



4 Reinstall the cover



Voltage	1 = 100V AC	4 = 100~240V AC	
Motor	2 = 24V		
Load and Speed	See page 2		
Plug	1 = EU 2 = US	3 = AU 4 = UK	5 = JP
Axle Dimension (mm)	1 = Ø26	2 = Ø35	
Stroke (mm)	1 = Back rest 87, leg rest 69		
Color	2 = Grey (Pantone 428C)		
IP Rating	1 = Without	2 = IPX6	
Quick Release	0 = Without		
Output Signal	0 = Without		
Extra Ports for Motors	0 = 0	1 = 1	2 = 2
Extra Ports for Handsets	1 = 1	2 = 2	
Cable Length (mm)	2 = Straight, 4000		
Grounding	0 = Without	1 = With	
Transformer	2 = SMPS (2.5A)	4 = Toroidal (4A)	
Back-up Battery	0 = Without	1 = 9V*3pcs battery box	2 = 1.2Ah rechargeable battery box

Terms of Use

The user is responsible for determining the suitability of TiMOTION products for a specific application. TiMOTION products are subject to change without prior notice.