

# TP8

series



## Product Segments

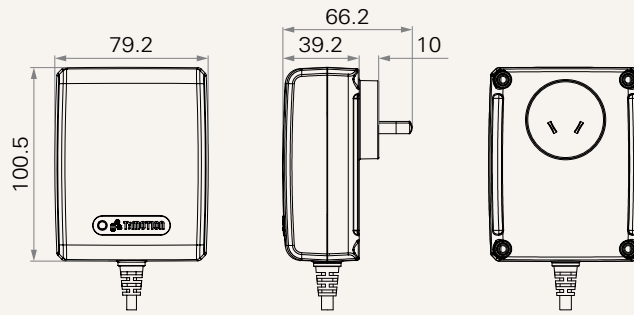
- **Care Motion**

## General Features

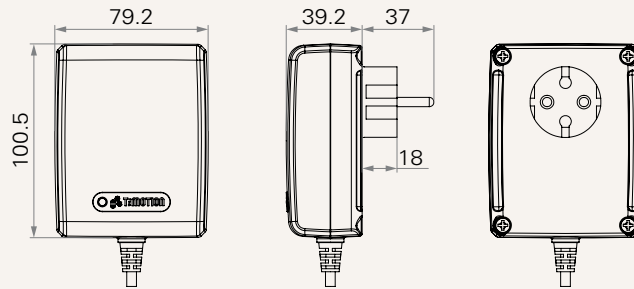
Transformer type	SMPS
Input voltage	100~240V AC
Maximum output	29V DC, 2.5A
Plug support	EU, USA, AUS, UK
Color	Black or grey
IP rating	Up to IP66
Certificate	IEC60601-1, ES60601-1, IEC60601-1-2
Wall mount design	

**Drawing**

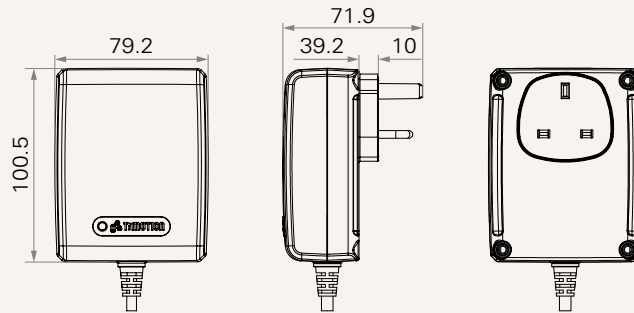
Dimensions with AUS Plug  
(mm)



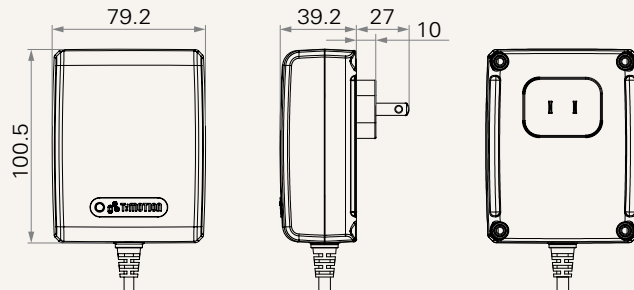
Dimensions with EU Plug  
(mm)



Dimensions with UK Plug  
(mm)



Dimensions with USA Plug  
(mm)



# TP8 Ordering Key

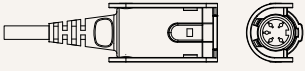
TP8

Version: 20170506-E

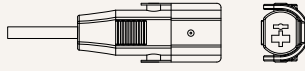
<b>Plug</b>	1 = EU	2 = USA	3 = AUS	4 = UK
<b>Color</b>	1 = Black	2 = Grey (Pantone 428C)		
<b>Cable Length and Connector (mm)</b> <a href="#">See page 4</a>	1 = Straight, 2000; DIN 5P socket		4 = Straight, 4000; small 01P socket	
	2 = Straight, 2000; small 01P socket		5 = Curly, 1450 (curly part: 250); DIN 5P socket	
	3 = Straight, 4000; DIN 5P socket		6 = Curly, 1450 (curly part: 250); small 01P socket	
<b>IP Rating</b>	1 = Without	2 = IP54	4 = IP66	

## Cable Length and Connector

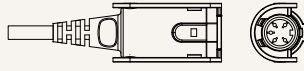
1 = Straight, 2000mm; DIN 5P socket



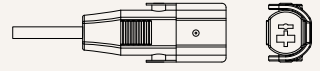
2 = Straight, 2000mm; small 01P socket



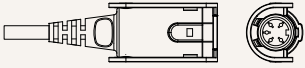
3 = Straight, 4000mm; DIN 5P socket



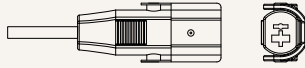
4 = Straight, 4000mm; small 01P socket



5 = Curly, 1450mm (curly part: 250);  
DIN 5P socket



6 = Curly, 1450mm (curly part: 250);  
small 01P socket



## Terms of Use

The user is responsible for determining the suitability of TiMOTION products for a specific application. TiMOTION products are subject to change without prior notice.