

TP2N

series



Product Segments

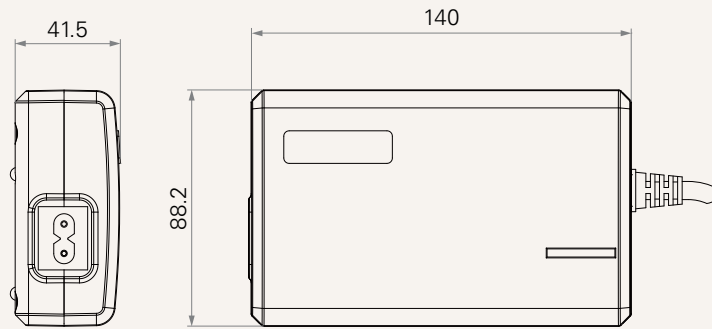
- **Comfort Motion**

General Features

Transformer type	SMPS
Input voltage	100~240V AC
Maximum output	29V DC, 2.5A
Plug support	EU, USA, AUS, UK, JPN
Color	Black
With backup battery-NiMH (24V/0.25Ah)	

Drawing

Standard Dimensions
(mm)



TP2N

Version: 20170607-A

Input voltage	4 = 100-240VAC		
Transformer	7 = SMPS (29V/2.5A)		
Built-in Battery	7 = Rechargeable NiMH battery (24V/0.25Ah)		
Grounding function	0 = Without		
AC Plug	0 = Without 1 = EU	2 = US 3 = AU	4 = EN 5 = JP
AC Plug Angle	1 = 90°	2 = 180°	
AC Cable Length	0 = Without	7 = Straight, 1500 mm	
DC Output Plug/Socket	3 = Long DIN 5P, socket	7 = Small 01P, socket	
DC Cable Length	4 = Straight, 1000 mm		
Color	1 = Black		
IP rating	1 = Without		

Terms of Use

The user is responsible for determining the suitability of TiMOTION products for a specific application. TiMOTION products are subject to change without prior notice.