

# TP11

series



## Product Segments

- **Comfort Motion**

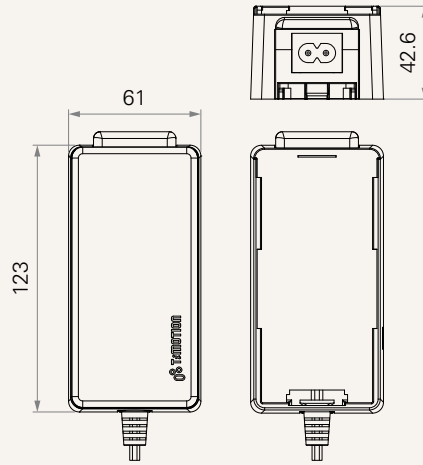
The TP11 is a unique power supply with an optional battery pack in addition to the AC power source. The battery pack will recharge automatically when connected to the AC power. The TP11 is equipped with a SMPS transformer and provides optional universal plugs. Customers can easily change the AC plugs when being used in different countries.

### General Features

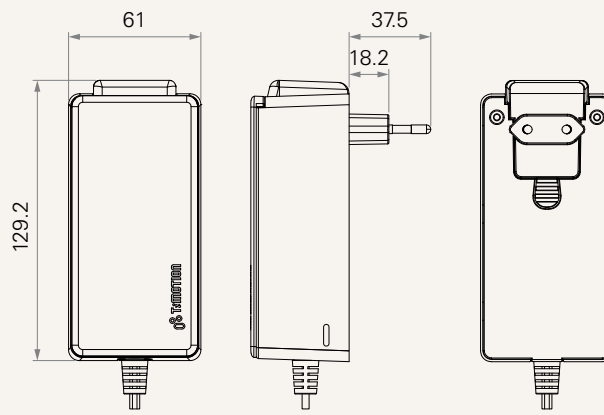
|                  |   |
|------------------|---|
| Transformer type | SMPS                                      |
| Input voltage    | 100~240V AC                               |
| Maximum output   | 29V DC, 1.8A                              |
| Plug support     | EU, USA, AUS, UK, JPN                     |
| Color            | Black                                     |
| Options          | Multiple wall mount plugs, backup battery |

**Drawing**

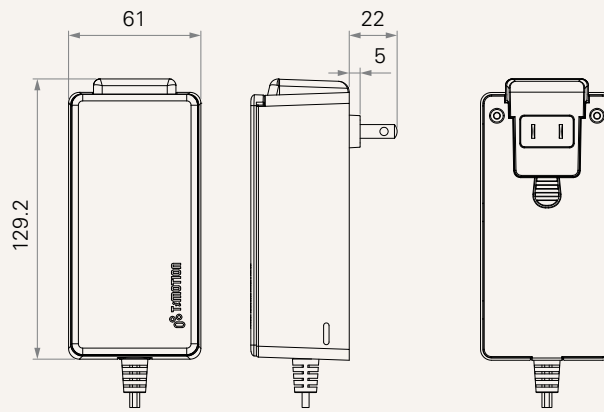
Standard Dimensions  
(mm)



AC Plug - EU  
(mm)

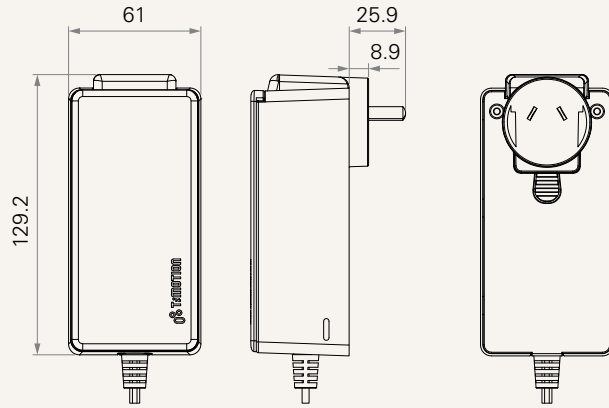


AC Plug - US  
(mm)

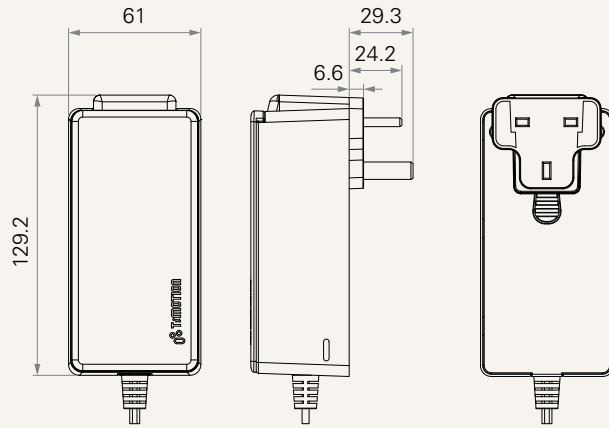


**Drawing**

AC Plug - AU  
(mm)



AC Plug - UK  
(mm)



|                                     |                                    |  |                          |                    |
|-------------------------------------|------------------------------------|--|--------------------------|--------------------|
| <b>AC plug</b>                      | 0 = Without<br>1 = EU              | 2 = US<br>3 = AU                                     | 4 = UK                   |                    |
| <b>AC Input Connector (mm)</b>      | 0 = Without<br>W = Wall mount plug | 1 = Straight cable, 1000<br>2 = Straight cable, 2000 | 3 = Straight cable, 3000 |                    |
| <b>AC Plug / Cable Angle</b>        | 0 = Without                        | 1 = 90°  | 2 = 180°                 |                    |
| <b>DC Output Connector (Socket)</b> | 1 = Long DIN 5P                    | 2 = Small 01P  |                          |                    |
| <b>DC Output Cable Length (mm)</b>  | 0 = Without                        | 1 = Straight, 1000                                   | 2 = Straight, 2000       | 3 = Straight, 3000 |
| <b>Backup Battery Pack</b>          | 0 = Without                        | 3 = 3* 9V dry battery pack                           | 7 = Li-ion battery pack  |                    |
| <b>Color</b>                        | 1 = Black                          |  |                          |                    |
| <b>IP rating</b>                    | 1 = Without                        |  |                          |                    |

### Terms of Use

The user is responsible for determining the suitability of TiMOTION products for a specific application. TiMOTION products are subject to change without prior notice.