

TNP5

series



Product Segments

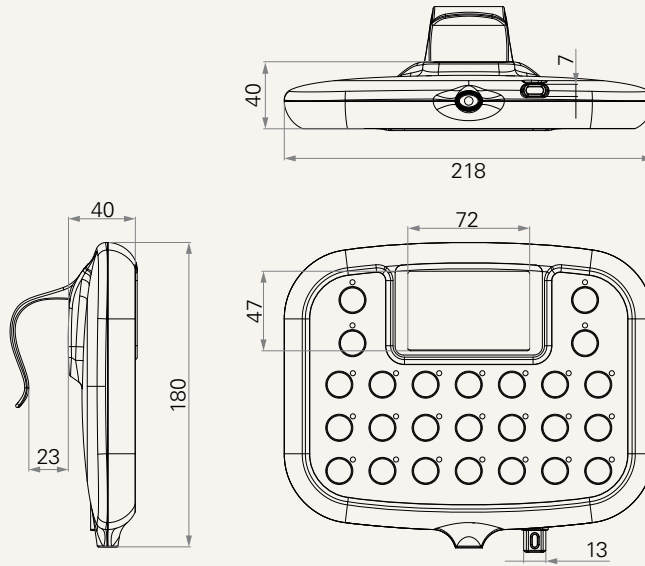
- **Care Motion**

General Features

Maximum available buttons	25
Color	Black or grey
IP rating	Up to IP66
Options	Safety key
Control up to 7 channels in connection with TC8	
Can hook on the rail	
Can be used as lock-out box	
With 3.5 inches LCD display, showing all the data and bed condition	

Drawing

Standard Dimensions
(mm)



TNP5 Ordering Key

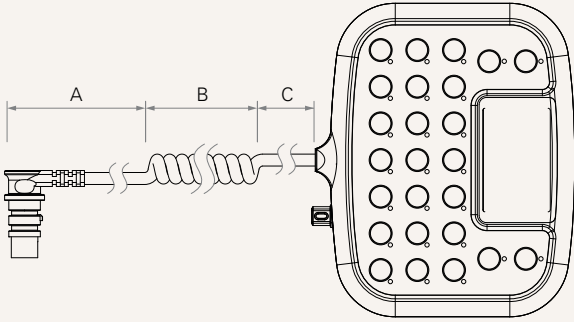
TNP5

Version: 20181114-E

Cable Length (mm)	1 = DIN 8P, 90°	2 = RJ 10P, 90°	4 = DIN 8P, 180°	5 = RJ 10P, 180°
Color	1 = Black	2 = Grey (Pantone 428C)		
IP Rating	1 = Without	2 = IP54	3 = IP66	
Safety Key	0 = Without	1 = With		
Cable Length (mm)	1 = 1500	3 = 2100	5 = 800	
See page 4	2 = 1800	4 = 2400	6 = 1400	
Hook Type	1 = Standard	2 = Holder		

Cable Length (mm)

Length = A+B+C



Cable Section

CODE	A	B	C
1	1000	300	200
2	1200	300	300
3	1400	300	400
4	2400	0	0
5	100	600	100
6	1000	200	200

Terms of Use

The user is responsible for determining the suitability of TiMOTION products for a specific application. TiMOTION products are subject to change without prior notice.