

# TMH5

series



## Product Segments

- **Care Motion**

## General Features

Has an LCD display, showing bed conditions

Color

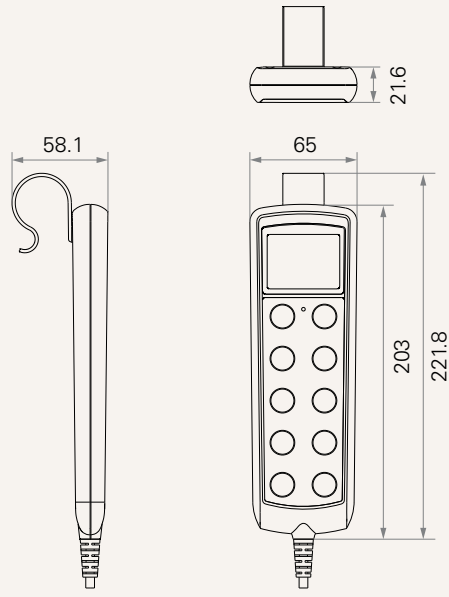
Black or grey

IP rating

Up to IP66W

**Drawing**

Standard Dimensions  
(mm)

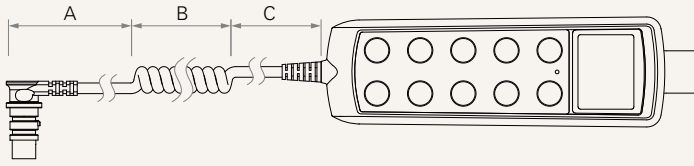


## TMH5

Version: 20190108-B

<b>Plug</b>	1 = DIN 8P, 90°	2 = RJ 10P, 90°	4 = DIN 8P, 180°	5 = RJ 10P, 180°
<b>Color</b>	1 = Black	2 = Grey (Pantone 428C)		
<b>IP Rating</b>	1 = Without	2 = IP54	3 = IP66	4 = IP66W
<b>Safety Key</b>	0 = Without	1 = With		
<b>Buzzer</b>	0 = Without	1 = With		
<b>Key Definition</b>	See appendix* Note: please contact TiMOTION before making an order			
<b>Cable Length (mm)</b>	1 = 1500 2 = 1800	3 = 2100 4 = 2400	5 = 800 6 = 1400	

## Cable Length



### Cable Section (mm)

CODE	A	B	C
1	1000	300	200
2	1200	300	300
3	1400	300	400
4	2400	0	0
5	100	600	100
6	1000	200	200

## Terms of Use

The user is responsible for determining the suitability of TiMOTION products for a specific application. TiMOTION products are subject to change without prior notice.