

TMH12

series



Product Segments

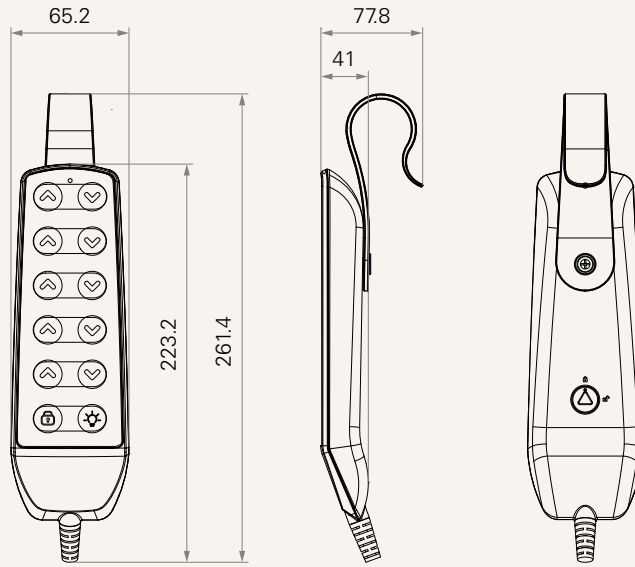
- **Care Motion**

General Features

Connected actuators	1~5
Maximum available buttons	12
Color	White, grey
IP rating	Up to IP66W
Option	Back light, hook

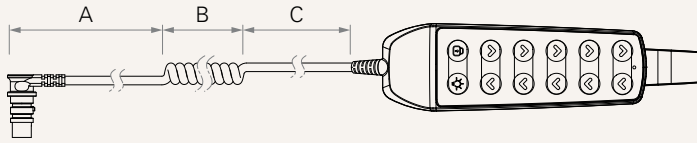
Drawing

Standard Dimensions
(mm)



MCU	0 = Without			
Control Box Type	1 = With MCU			
PCBA	1 = General	2 = Power saving function		
Button Definition	See appendix* Note: please contact TiMOTION before making an order			
Backlight	0 = Without	1 = With		
Safety Key	0 = Without	1 = With		
Plug	4 = DIN 8P	5 = RJ 10P		
Plug Angle	1 = 90°	2 = 180°		
Cable Length (mm)	1-6 = 1-6 See page 4			
Color	2 = Grey (Pantone 428C)	3 = White (White S)		
Hook Type	0 = Without	1 = Standard	4 = Magnetic hook See page 4	
IP Rating	1 = Without	2 = IP54	3 = IP66	4 = IP66W

Cable Length



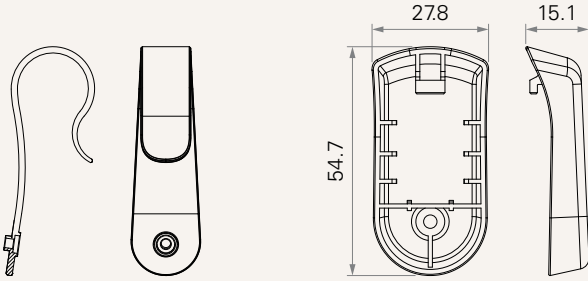
Cable Section (mm)

CODE	A	B	C
1	1000	300	200
2	1200	300	300
3	1400	300	400
4	2400	0	0
5	100	600	100
6	1000	200	200

Hook Type

1 = Standard

4 = Magnetic hook



Terms of Use

The user is responsible for determining the suitability of TiMOTION products for a specific application. TiMOTION products are subject to change without prior notice.