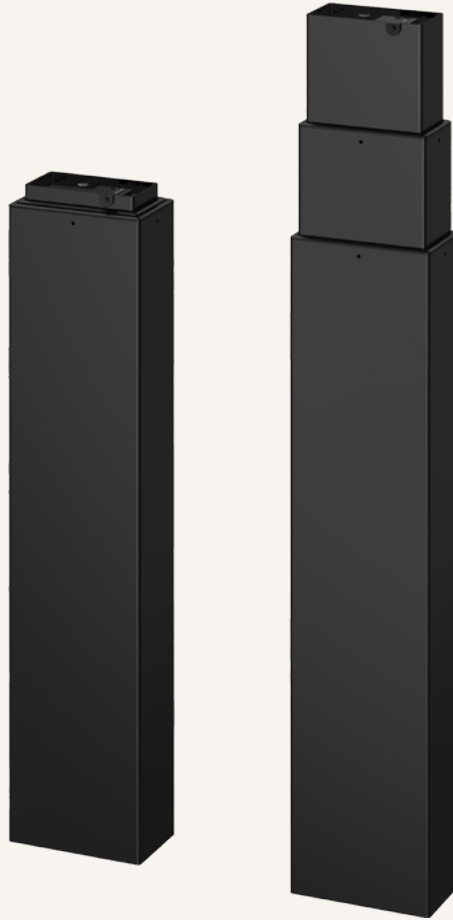


TL5

series



Product Segments

- **Ergo Motion**

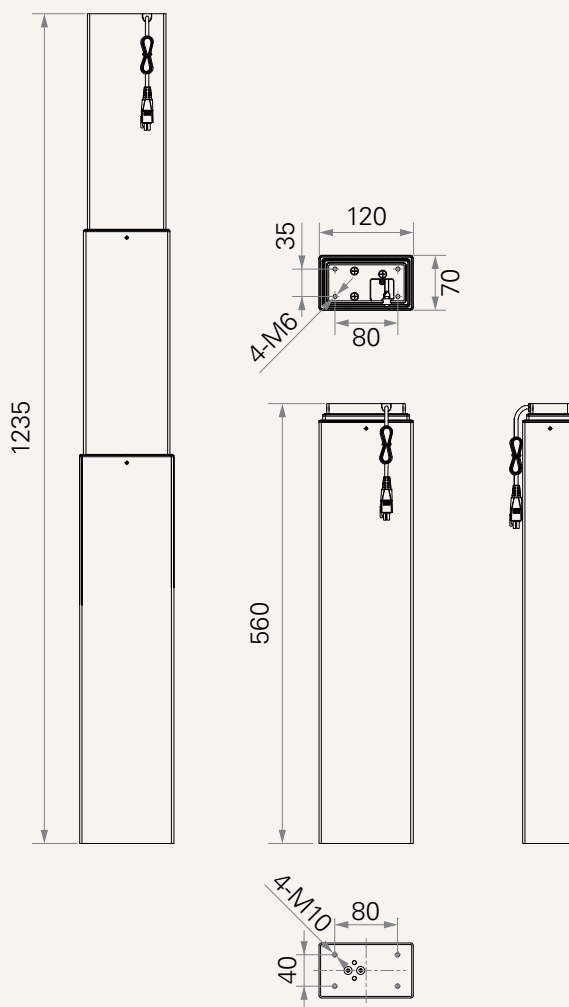
TiMOTION's TL5 series columns are designed with an extruded steel square appearance for use in ergonomic furniture applications. Our economical TL5 provides stable vertical lifting. This makes the engineering design process easier and safer by replacing older style lifting mechanisms that use many moving stages and have pinch points. The 3 stage telescopic design enables a greatly reduced retracted height and provides an increased stroke length while ensuring a high degree of stability.

General Features

Maximum load	800N in push
Maximum speed at full load	20.0mm/s (with 800N in a push condition)
Minimum installation dimension	560mm
Dimension of outer tube (L*W)	120*70mm
Stroke	675mm
Current at rated load	5.0A
Color	Black, white or grey
Three stage outer tube with rectangular appearance	

Drawing

Standard Dimensions
(mm)



Load and Speed

CODE	Load (N)	Self Locking Force (N)	Typical Current with Load (A)		Typical Speed (mm/s)	
	Push		No Load 32V DC	With Load 24V DC	No Load 32V DC	With Load 24V DC
Motor Speed (3800RPM)						
A	500	500	2.5	4.0	36.0	20.0
Motor Speed (5200RPM)						
B	800	1000	2.5	5.0	32.0	20.0

Note

1 This self-locking force level is reached only when a short circuit is applied on the terminals of the motor. All the TiMOTION control boxes have this feature built-in.

Voltage	2 = 24V	5 = 24V, PTC		
Load and Speed	See page 2			
Stroke (mm)	675 (Standard)			
Retracted Length (mm)	560 (Standard)			
Color	1 = Black (RAL 9005), black wiper	3 = White (RAL 9016), white wiper		
	2 = Grey (RAL 9006), grey wiper	4 = Special grey (RAL 9022), grey wiper		
Functions for Limit Switches	1 = Two switches at the retracted/extended positions to cut current			
	See page 4			
Output Signals	0 = Without	2 = Two Hall sensors		
Connector	1 = DIN 6pin, 90° plug	2 = Tinned leads	E = Molex 8pin, plug	F = DIN 6pin, 180° plug
	See page 4			
Cable Length	1 = Straight, 500mm	3 = Straight, 1000mm	4 = Straight, 1500mm	
Cable Exit	1 = From the top	2 = From the bottom		

Functions for Limit Switches

Wire Definitions

CODE	Pin	1	2	3	4	5	6
		● (green)	● (red)	○ (white)	● (black)	● (yellow)	● (blue)
1		extend (VDC+)	N/A	N/A	N/A	retract (VDC+)	N/A

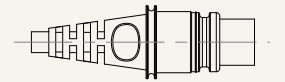
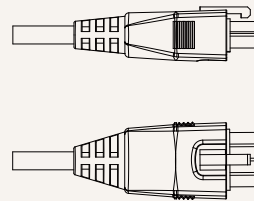
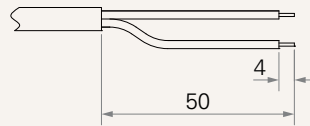
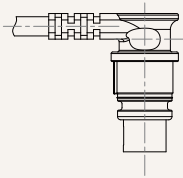
Connector

1 = DIN 6pin, 90° plug

2 = Tinned leads

E = MOLEX 8pin, plug

F = DIN 6pin, 180° plug



Terms of Use

The user is responsible for determining the suitability of TiMOTION products for a specific application. TiMOTION products are subject to change without prior notice.