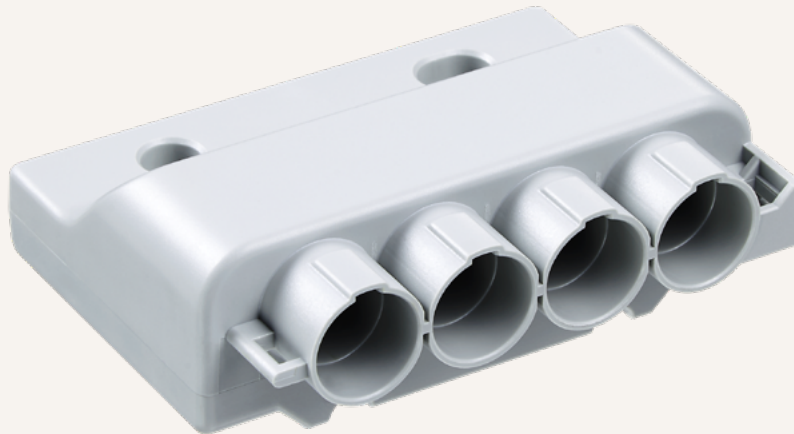


TJB5

series



Product Segments

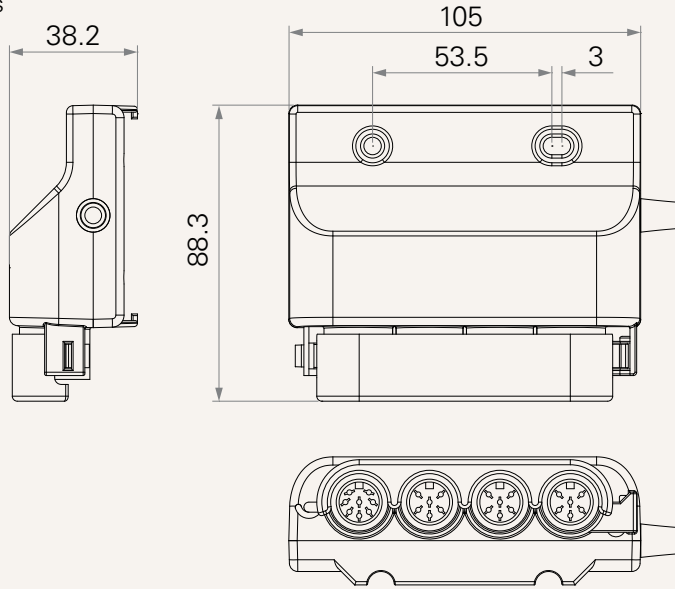
- **Care Motion**

General Features

A signal switch box	
Connect actuators	1~3
Connect hand control	1~2

Drawing

Standard Dimensions
(mm)



Socket for Actuator	1 = 1	2 = 2	3 = 3
Socket for Handset	1 = 1	2 = 2	
Actuator Socket Type	1 = Standard DIN 6P	2 = Standard small 01	
Handset Socket Type	2 = Short DIN 5P	3 = Short DIN 8P	
Color	1 = Black	2 = Grey (Pantone 428C)	
Cable Length (mm)	1 = Straight, 1000, short DIN 5P, 180°	2 = Straight, 1000, small 01 male plug	

Terms of Use

The user is responsible for determining the suitability of TiMOTION products for a specific application. TiMOTION products are subject to change without prior notice.