

TH8

series



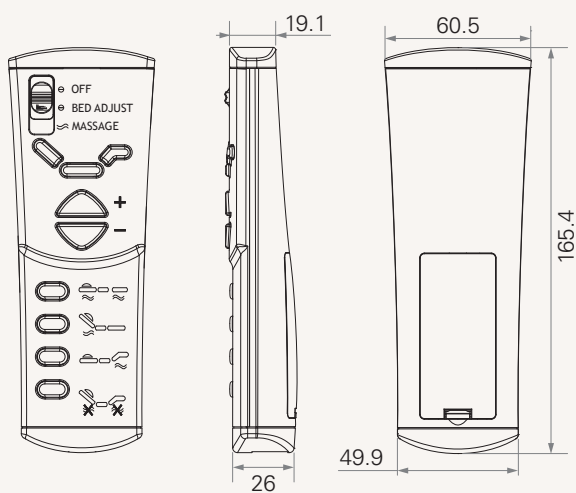
Product Segments

• Comfort Motion

Connected actuators	1~4
Maximum available buttons	9
Color	black, dark grey, or light yellow
Option	RF wireless control
Specific design for home-living-bed	

Drawing

Standard Dimension
(mm)



Terms of Use

The user is responsible for determining the suitability of TiMOTION products for a specific application.

Due to continuous development in order to improve our products, TiMOTION products are subject to frequent modifications and changes without prior notice.

TiMOTION reserves the right to discontinue the sale of any products displayed on its website or listed in its catalogue or other written materials drawn up by TiMOTION.

TH8 Ordering Key

TH8

Version: 20130510-D

<input type="checkbox"/>	Frequency	0 = Without RF	1 = 315MHz	2 = 433MHz	
<input type="checkbox"/>	Number of Actuators	1 = 1	2 = 2	3 = 3	4 = 4
<input type="checkbox"/>	Plug	5 = RJ 10pin, 180°, for extension cable 6 = RJ 10pin, 90°		A = Customized	
<input type="checkbox"/>	Color	1 = Black 3 = Dark gray (Pantone 433C)	4 = Light yellow (Pantone warm gray 1C) A = Customized		
<input type="checkbox"/>	Key Definition	A = Customized			
<input type="checkbox"/>	Cable Length	1 = Straight, 4500mm	A = Customized		