

# TH7R

series



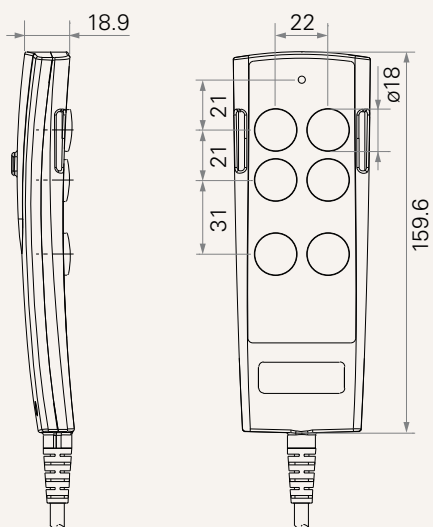
## Product Segments

- **Comfort Motion**

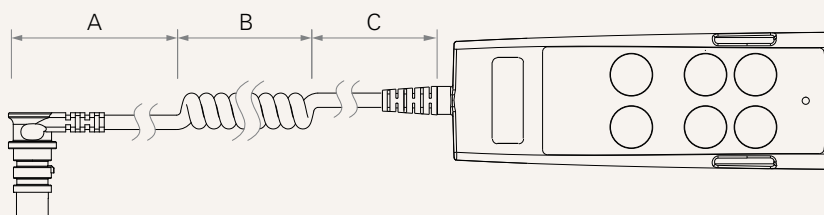
Connected actuators	1~3
Maximum available buttons	6
IP rating	Black or grey
Option	Safety key
Rubber-made buttons	
LED indication	

**Drawing**

Standard Dimension  
(mm)



Dimension with Cable Length



**Cable Length (mm)**

CODE	A	B	C
1	1000	300	200
2	1200	300	300
3	1400	300	400
4	2400	0	0
5	0	600	0
6	1000	200	200

## TH7R

Version: 20170107-I

<b>Number of Actuators</b>	1 = 1	2 = 2	3 = 3
<b>Plug</b>	1 = DIN 8pin, for TC2/TC3/TC7 2 = RJ 10pin, 90°, for TC1/TC8/TC10 4 = DIN 8pin, 180°, for extension cable		5 = RJ 10pin, 180°, for TC6/TC9/extension cable
<b>Color</b>	1 = Black		2 = Grey (Pantone 428C)
<b>IP Rating</b>	1 = Without		
<b>Safety Key</b>	0 = Without		1 = With
<b>Key Definition</b>	01~27 = See appendix* Note : please contact TiMOTION before making an order		AA = Customized
<b>Cable Length</b>	1~6 = See appendix		
<b>Hook Type</b>	1 = Standard		

### Terms of Use

The user is responsible for determining the suitability of TiMOTION products for a specific application. TiMOTION products are subject to change without prior notice.