

TH30

series



Product Segments

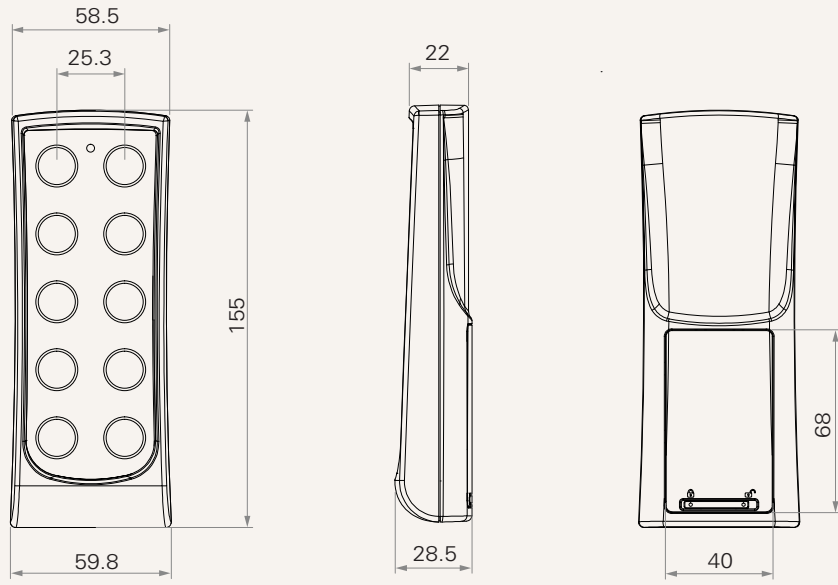
- **Care Motion**

General Features

Connected actuators	1~4
Maximum available buttons	10
With wireless function	IEEE802.15.4 standard
Working with wireless receiver	TRF2
Operating distance	3~7m
Color	Black or grey
IP rating	Up to IP66
Options	Built-in battery, holder
Certificate	IEC60601-1

Drawing

Standard Dimensions
(mm)



TH30 Ordering Key

TH30

Version: 20180410-C

Frequency	3 = 2.4GHz			
Number of Actuators	1 = 1	2 = 2	3 = 3	4 = 4
Color	1 = Black		2 = Grey (Pantone 428C)	
Button Definition	See appendix* Note: please contact TiMOTION before making an order			
Built-in Battery	1 = With battery spring, without battery		2 = With battery spring, with battery (2*AAA batteries)	
Holder	0 = Without	1 = With		
IP Rating	1 = Without	2 = IP54	3 = IP66	

Terms of Use

The user is responsible for determining the suitability of TiMOTION products for a specific application. TiMOTION products are subject to change without prior notice.