

TH15

series



Product Segments

- **Comfort Motion**

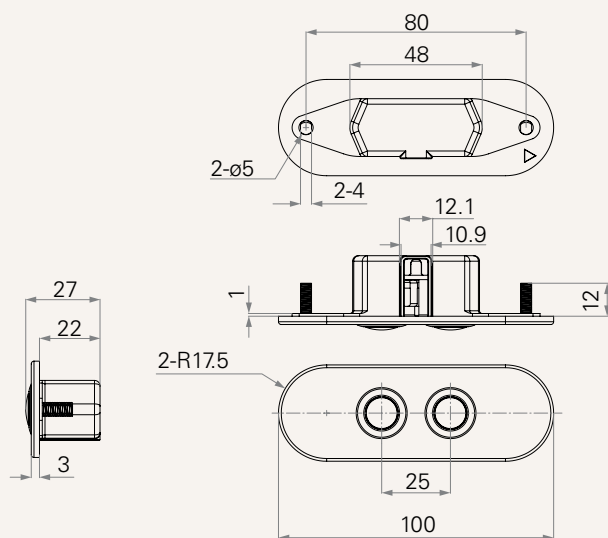
Maximum available buttons 2

Black buttons and cable; metal surface with brushed nickel coating

Mounted into the recliner directly

Drawing

Standard Dimension
(mm)



Terms of Use

The user is responsible for determining the suitability of TiMOTION products for a specific application.

Due to continuous development in order to improve our products, TiMOTION products are subject to frequent modifications and changes without prior notice.

TiMOTION reserves the right to discontinue the sale of any products displayed on its website or listed in its catalogue or other written materials drawn up by TiMOTION.

TH15 Ordering Key

TH15

Version: 20131122-E

| | | | |
|---------------------|---|---|----------------|
| Plug | 1 = DIN 5pin, for TDC 2 = DIN 8pin, for TC2/TC3/TC7 4 = DIN 8pin, 180°, for extension cable | 5 = RJ 10pin, 180°, for TC6/TC9/extension cable 6 = RJ 10pin, 180°, for TC11/TC15/TC16, flat A = Customized | |
| Color | 1 = Metal top cover with silver painting, black buttons and cable | | |
| Cable Length | 1 = Straight, 1000mm | 2 = Straight, 1500mm | A = Customized |