

TH1

series



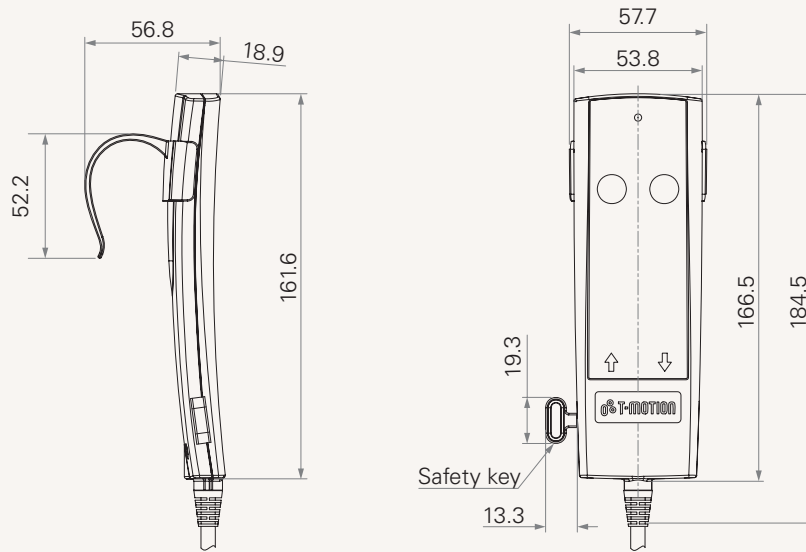
Product Segments

- **Care Motion**
- **Comfort Motion**

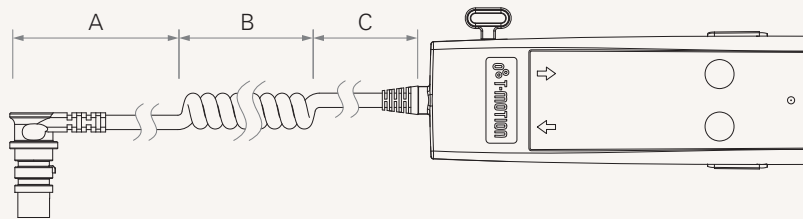
Connected actuators	1~4
Maximum available buttons	10
Color	black or grey
IP rating	IP54 or IP66
Certificate	RoHS
Option	safety key
LED indication	

Drawing

Standard Dimension
(mm)



Dimension with Cable Length



Cable Length (mm)

CODE	A	B	C
1	1000	300	200
2	1200	300	300
3	1400	300	400
4	2400	0	0
5	0	600	0
6	1000	200	200

Terms of Use

The user is responsible for determining the suitability of TiMOTION products for a specific application.





Due to continuous development in order to improve our products, TiMOTION products are subject to frequent modifications and changes without prior notice.

TiMOTION reserves the right to discontinue the sale of any products displayed on its website or listed in its catalogue or other written materials drawn up by TiMOTION.

TH1 Ordering Key

TH1

Version: 20150104-L

	Number of Actuators	1 = 1	2 = 2	3 = 3	4 = 4	
	Plug	1 = DIN 8pin, for TC2/TC3/TC7 2 = RJ 10pin, 90°, for TC1/TC8/TC10 4 = DIN 8pin, 180°, for extension cable			5 = RJ 10pin, 180°, for TC6/TC9/extension cable A = Customized	
	Color	1 = Black			2 = Grey (Pantone 428C)	
	IP Rating	1 = Without	2 = IP54	3 = IP66		
	Safety Key	0 = Without			1 = With	
	Hook Type	0 = None	1 = Standard	2 = Magnetic		
	Key Definition	01~66 = See appendix*			AA = Customized	
		Note : please contact TiMOTION before making an order				
	Cable Length	1~6 = See appendix				