

TGM5

series



Product Segments

- **Care Motion**

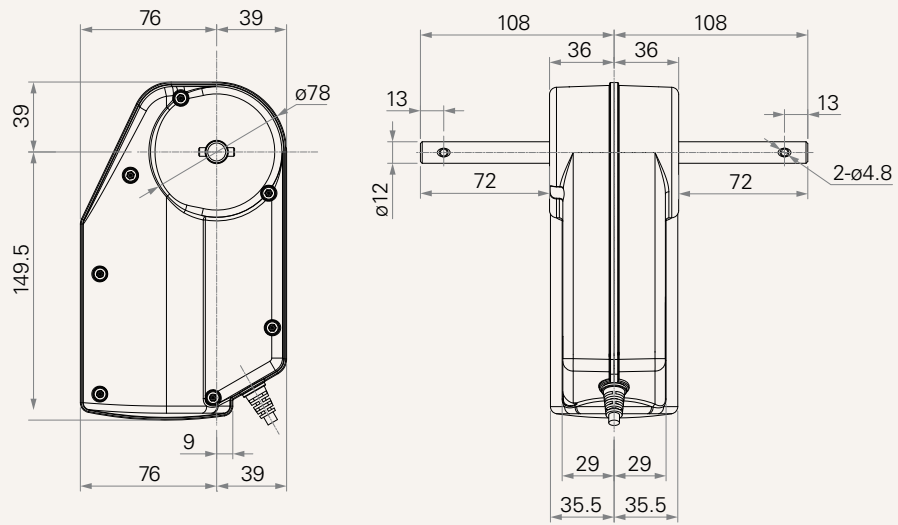
TiMOTION's TGM5 series gear motor was designed primarily for medical applications, but can be used in a wide range of other applications that require a water resistant motion product. This economical, high torque product allows for fast, smooth and quiet adjustment of built-in spindles through the use of external limit switches. Shafting allows for the mechanical synchronization of dual spindles.

General Features

Voltage of motor	12, 24, 36V DC or 24V DC (PTC)
Maximum speed at full load	60RPM ($\pm 5\%$) after gear reduction
Maximum rated torque	15Nm
IP rating	Up to IP66
Certificate	UL962
Operational temperature range	+5°C~+45°C
Options	Hall sensors, motor brake
Hexagon hole for the shaft by 12mm diameter	
Low noise	

Drawing

Standard Dimensions
(mm)



Load and Speed

CODE	Torque Load (Nm)	Self Locking Force (Nm)	Typical Current (A)		Typical Speed (RPM, $\pm 5\%$)		Hall Sensor Output		
			No Load 32V DC	With Load 24V DC	No Load 32V DC	With Load 24V DC	Magnet Poles	Period (ms)	
								No Load 32V DC	With Load 24V DC
Motor Speed (3800RPM)									
A	15	20	2.0	8.0	107	60	2	11.5-12.5	19.0-22.0

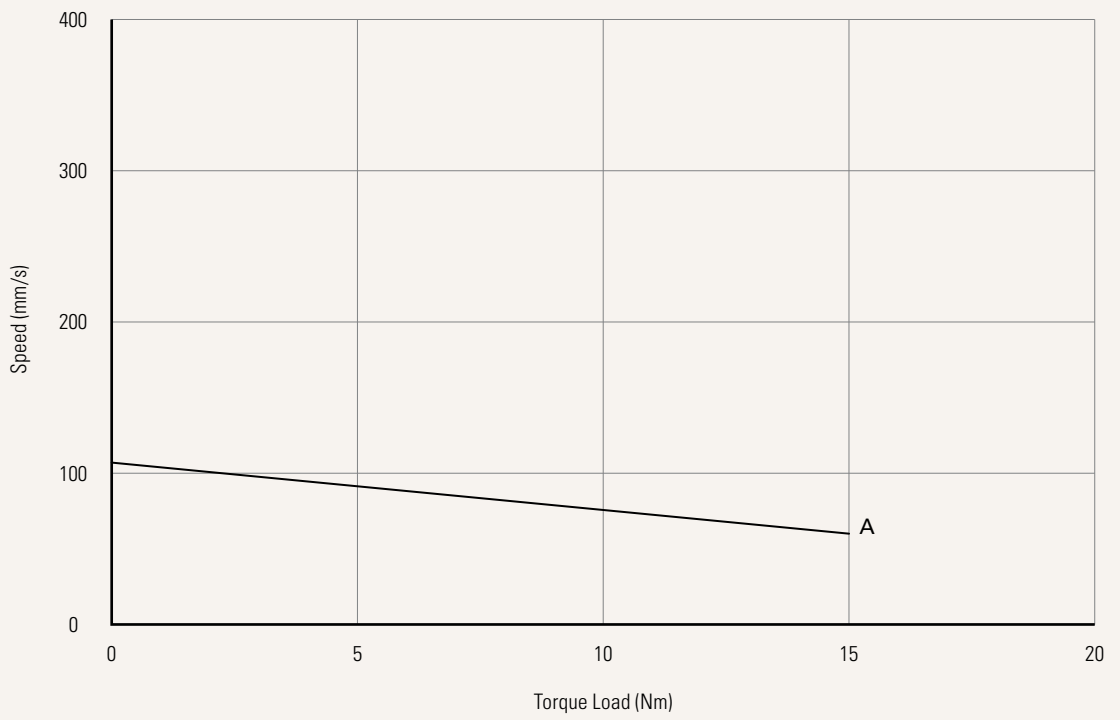
Note

- 1 Please refer to the approved drawing for the final authentic value.
- 2 The current & speed in table and diagram are tested with TiMOTION control boxes, and there will be around 10% tolerance depending on different models of the control box. (Under no load condition, the voltage is around 32V DC. At rated load, the voltage output will be around 24V DC)

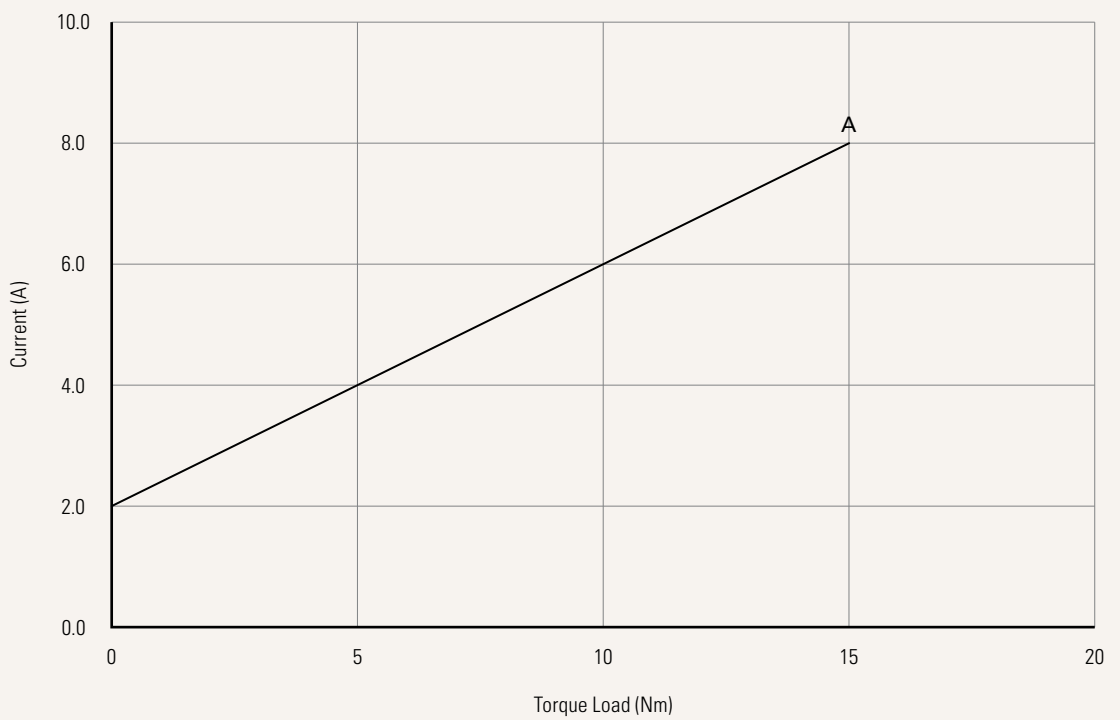
Performance Data (24V DC Motor)

Motor Speed (3800RPM)

Speed vs. Torque Load



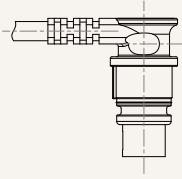
Current vs. Torque Load



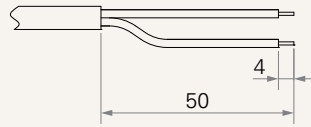
Voltage	1 = 12V	2 = 24V	3 = 36V	5 = 24V, PTC
Load and Speed	See page 2			
Output Signals	0 = Without	2 = Hall sensor * 2		
Brake	0 = Without	M = Motor brake		
Motor Brake	0 = Two way			
Color	1 = Black	2 = Grey (Pantone 428C)		
IP Rating	1 = Without	2 = IP54	3 = IP66	
Plug	1 = DIN 6P, 90°	2 = Tinned leads	E = Molex 8P	
See page 5				
Cable Length (mm)	1 = Straight, 500	3 = Straight, 1000	5 = Straight, 1500	7 = Curly, 200
	2 = Straight, 750	4 = Straight, 1250	6 = Straight, 2000	8 = Curly, 400
Internal Limit Switch	0 = Without	1 = With		
Output Spindle Rotation Number	00 = Without internal limit switch			
	XX = With internal limit switch, number of output rotations (between 25-58 rotations, factory preset)			

Plug

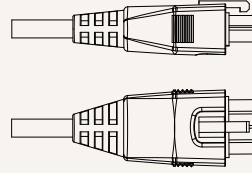
1 = DIN 6P, 90°



2 = Tinned leads



E = Molex 8P



Terms of Use

The user is responsible for determining the suitability of TiMOTION products for a specific application. TiMOTION products are subject to change without prior notice.