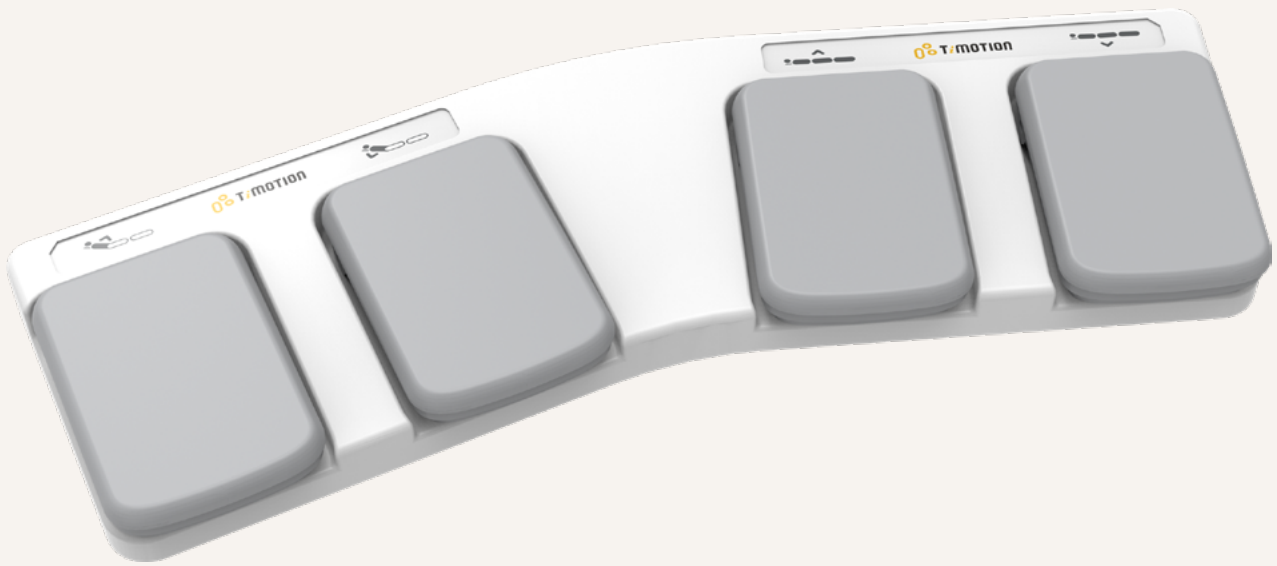


TFS5

series



Product Segments

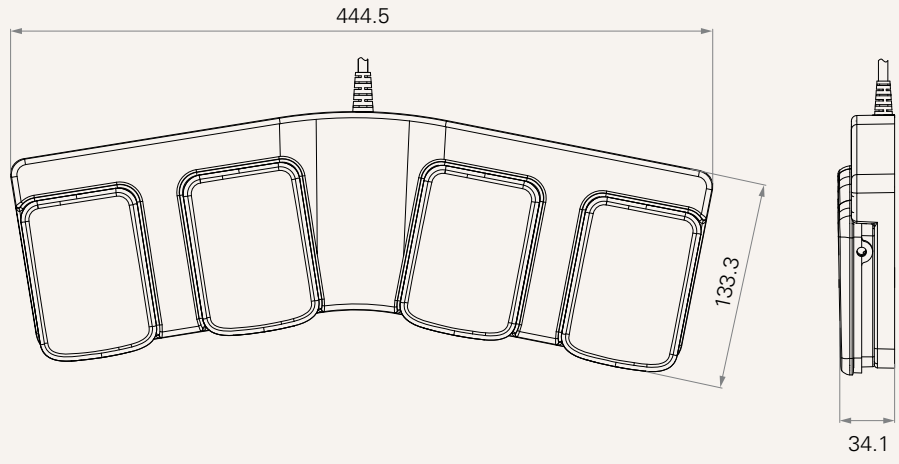
- **Care Motion**

General Features

Maximum available buttons	4
IP rating	Up to IP66
Options	with back up battery or cable less control

Drawing

Standard Dimensions
(mm)



Connection	0 = Cableless (frequency: 2.4G)	1 = Cable (standard 1500mm)
Plug	0 = Wireless version: without plug 1 = DIN 8pin, 90° plug 2 = RJ 10pin, 90° plug	4 = DIN 8pin, 180° plug 5 = RJ 10pin 180° plug, work with TC6 / TC9 or extension cable 6 = RJ 10pin 180° plug, work with TC11 / TC15 / TC16
Color	1 = Black 2 = Grey (Panton 428C)	3 = Standard: white upper case, grey (428C) keypad
Button Definition	41 = 41	
Built-in Backup Battery	0 = Without (cable) 1 = 1.5V AAA dry cell*2 pcs (cableless)	2 = Without battery (cableless)
IP Rating	0 = Without 1 = IP54	2 = IP66
Control Box Type	0 = Without MCU, handset without MCU 1 = Without MCU, handset with MCU	2 = With MCU, handset without MCU. Needs to raise a proposal 3 = With MCU, handset with MCU

Terms of Use

The user is responsible for determining the suitability of TiMOTION products for a specific application. TiMOTION products are subject to change without prior notice.