

TFS3

series



Product Segments

- **Care Motion**
- **Industrial Motion**

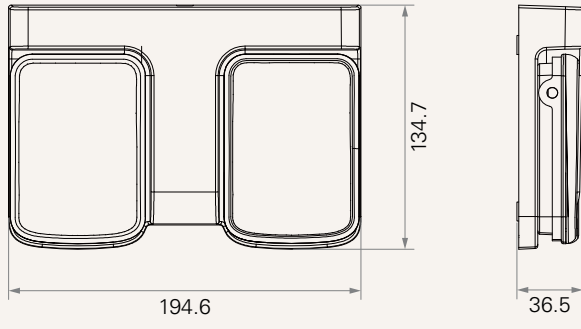
General Features

Maximum available buttons	2
IP rating	Up to IP66
Options	with back up battery or cable less control

TFS3
Series

Drawing

Standard Dimensions
(mm)



Connection	0 = Cableless (Frequency: 2.4G)		1 = Cable (Standard 1500mm)	
Plug	0 = Without (wireless version)	1 = DIN 8P, 90° 2 = RJ 10P, 90°	4 = DIN 8P, 180° 5 = RJ 10P, 180°	6 = Flat RJ 10P, 180°
Color	1 = Black 2 = Grey (Pantone 428C)		3 = White upper cover, Pantone 428C for keypad (Standard)	
Button Definition	1 = Left key: extend / Right Key: retract		2 = Left key: retract / Right Key: extend	
Which Motor to Control	1 = 1 2 = 2	3 = 3 4 = 4	5 = 5 6 = 6	
Built-in Backup Battery	0 = Without battery shrapnel, without battery 1 = With battery shrapnel, with battery (2*AAA 1.5V dry batteries) 2 = With battery shrapnel, without battery			
IP Rating	0 = Without	1 = IP54	2 = IP66	
Control Box Type	0 = Without MCU + Without MCU control box 1 = With MCU + Without MCU control box		2 = Without MCU + With MCU control box 3 = With MCU + With MCU control box	

Terms of Use

The user is responsible for determining the suitability of TiMOTION products for a specific application. TiMOTION products are subject to change without prior notice.