

TFH22

series



Product Segments

- **Comfort Motion**

The TFH22 has a built-in magnet which allows for easy attachment onto any iron-made furniture frame. With its stylish appearance and 10 rubber buttons, this advanced control is suitable for the highest level upholstery chairs, allowing for versatile movements. The simple clipped-on cover enables a quick change of button battery.

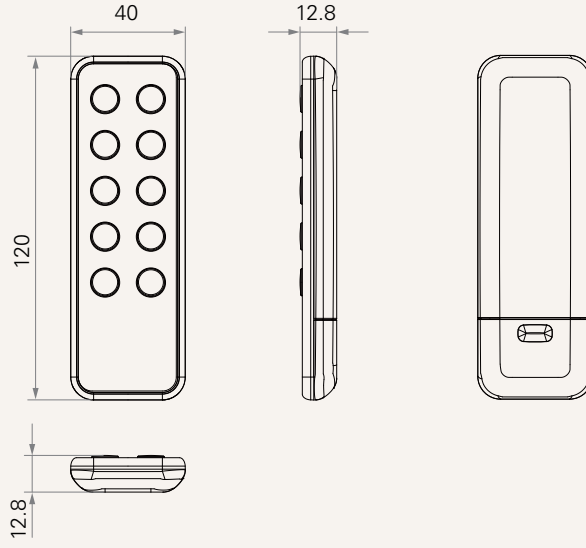
General Features

Connected actuators	1~3
Maximum available buttons	10
Color	Black or grey
Maximum remote control distance	8m
RF wireless control available	
Contains built - in magnet	

TFH22 Series

Drawing

Standard Dimensions
(mm)



Frequency	1 = 315MHz	2 = 315MHz
MCU	0 = Without	
Control Box Type	0 = Without MCU, must be used with TRF 1 = With MCU, must be used with TRF	2 = With MCU, with built-in wireless receiver module D = Direct cut system (without control box), with TRF
Button Definition	See appendix* Note: please contact TiMOTION before making an order	
Color	1 = Standard (Upper housing: Black; Lower housing: Cool grey 10C) 2 = Black 3 = Grey (Pantone 428C)	
Hook	0 = Without	4 = Magnetic hook
Built-in Backup Battery	1 = With battery spring, without battery 6 = With battery spring, with battery (1*CR2032 3V button)	
Backlight	0 = Without	
IP Rating	1 = Without	

Terms of Use

The user is responsible for determining the suitability of TiMOTION products for a specific application. TiMOTION products are subject to change without prior notice.