

TFH11

series



Product Segments

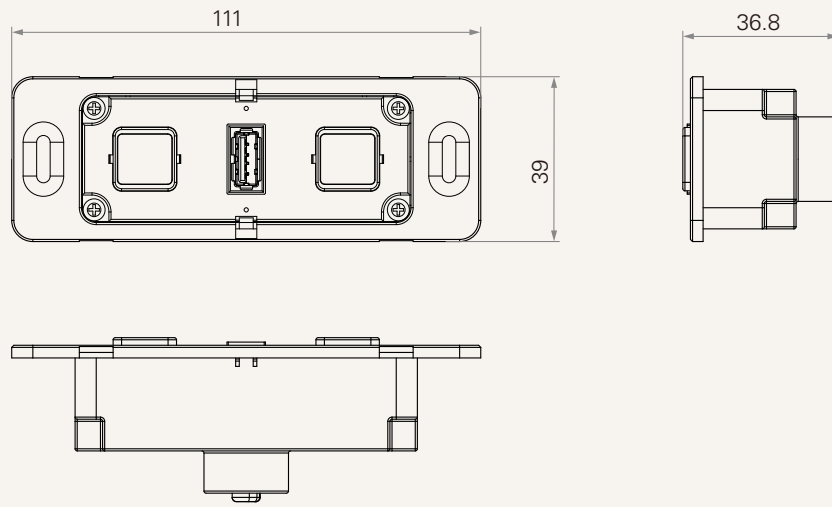
- **Comfort Motion**

General Features

Maximum available buttons 2
Embedded into the recliner directly
USB socket for power charging

Drawing

Standard Dimensions
(mm)



MCU	0 = Without	
Control Box Type	0 = Without MCU	
Communication Type	1 = Direct cut	
Number of Actuator	1 = 1	
Back Light	1 = With	
Charging Socket Type	1 = USB	
Connector	2 = Short DIN 5pin	3 = Standard DIN 5pin
Angle of Connector	1 = 90°	2 = 180°
Cable Length	2 = Straight, 1500mm	3 = Straight, 2000mm

Terms of Use

The user is responsible for determining the suitability of TiMOTION products for a specific application. TiMOTION products are subject to change without prior notice.