

# TFH1

series



## Product Segments

- **Care Motion**

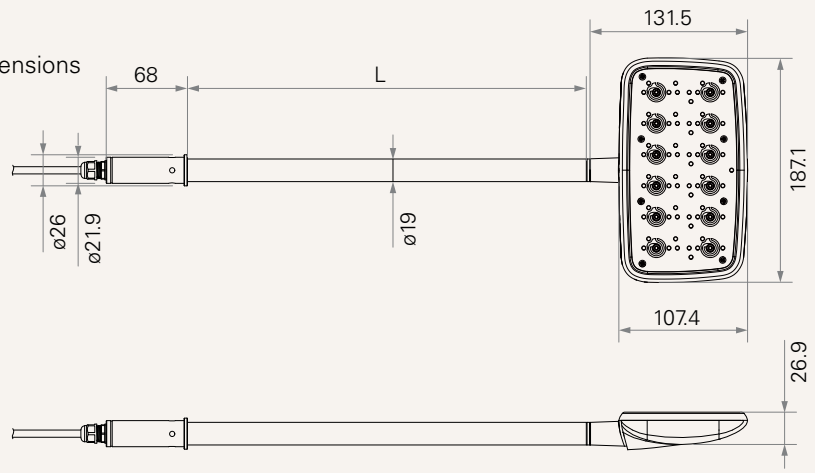
## General Features

Maximum available buttons	12
IP rating	Up to IP66W
Options	Reading light
Flexible gooseneck	
Can be fixed on the head board or side rail	

# TFH1 Series

## Drawing

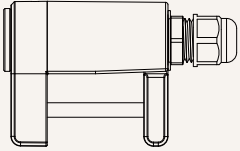
Standard Dimensions  
(mm)



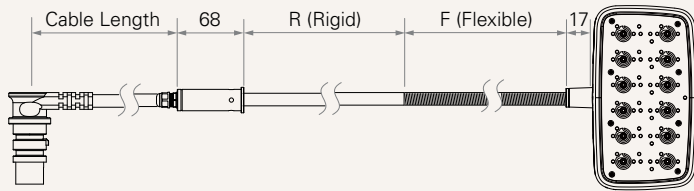
<b>Number of Actuators</b>	0 = Without	1 = With		
<b>Plug</b>	1 = RJ 10P, 180°, for TC6/TC9 and extension cable (standard)			
<b>Color</b>	2 = Grey (Pantone 428C)			
<b>IP Rating</b>	1 = Without	2 = IP54	3 = IP66	4 = IP66W
<b>Gooseneck Type (mm)</b>	0 = 26 + 519 (F) + 341 (R)	1 = 26 + 559 (F) + 136 (R)	3 = 26 + 774 (F) + 66 (R)	4 = 26 + 674 (F) + 166 (R)
<b>Mounting Bracket</b>	1 = Standard			
<b>Key Definition</b>	See appendix* Note: please contact TiMOTION before making an order			
<b>Cable Length (mm)</b>	1 = Straight, 1000	2 = Straight, 2000	3 = Straight, 3000	

## Mounting Bracket

1 = Standard



## Gooseneck Type and Cable Length (mm)



\*Customized gooseneck length shall be less than 800mm

## Terms of Use

The user is responsible for determining the suitability of TiMOTION products for a specific application. TiMOTION products are subject to change without prior notice.