

TEK08

series

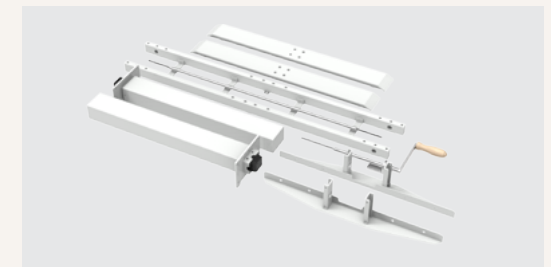
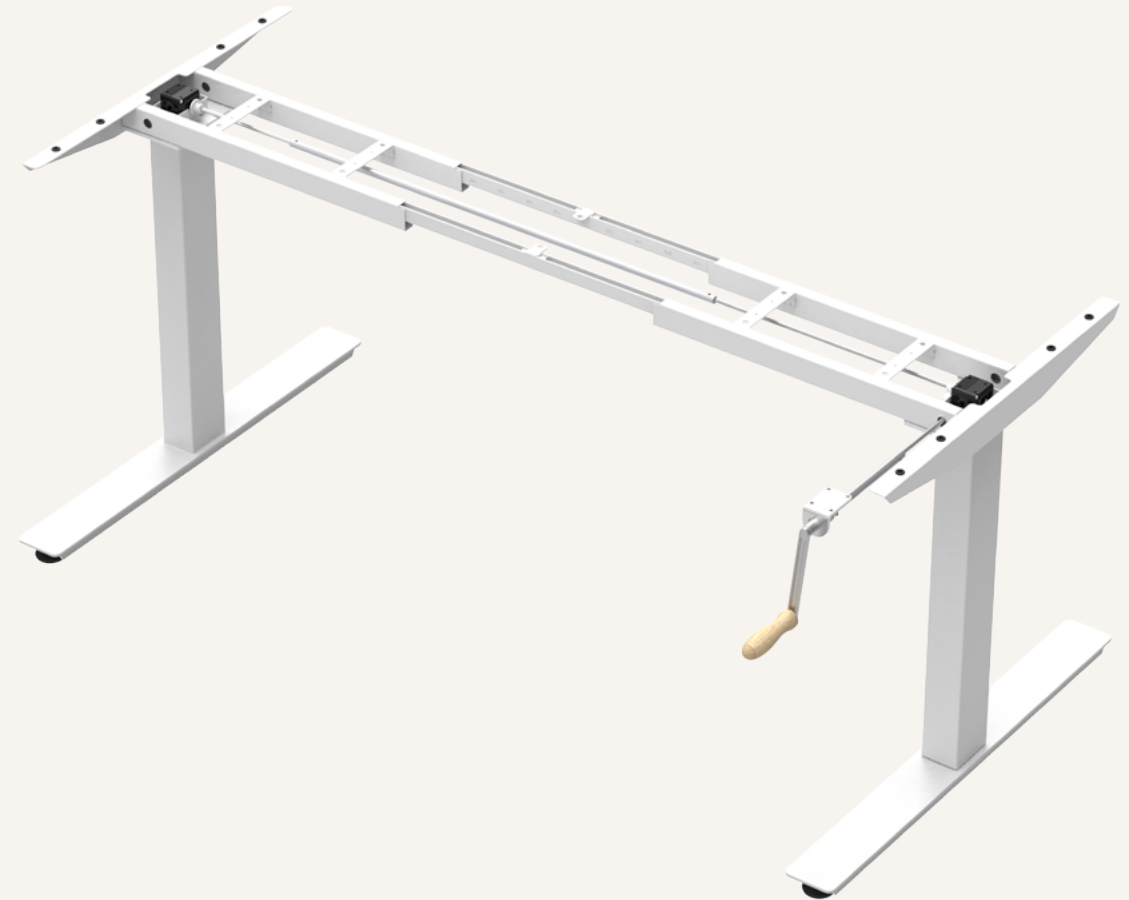
Product Segments

• Ergo Motion

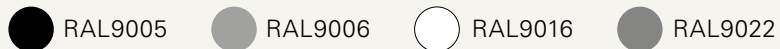
General Features

Maximum load	80kg
Lifting ratio	3mm/turn, 9mm/turn
Strok	450mm
Minimum installation dimension	680mm
Weight of TEK08 package	29kg*
High strength and stability – Steel construction	
Manually operated by a foldable hand crank	

* The actual weight of package may vary due to customer's selection of components.

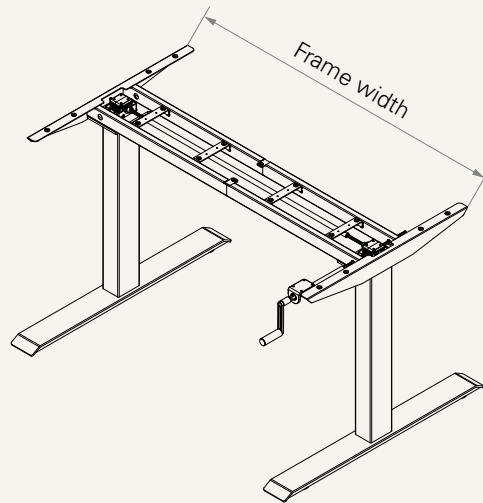


Color (RAL Classic)

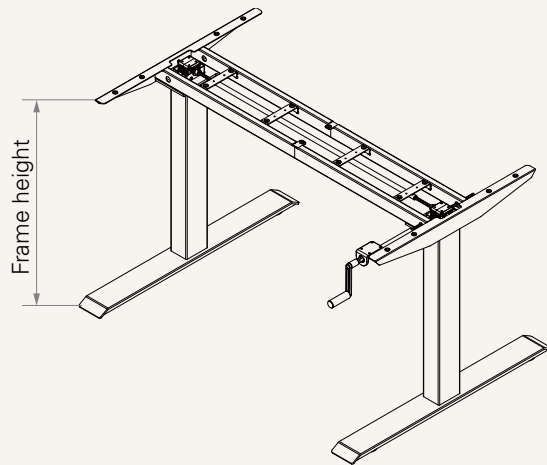


Drawing

Dimensions



• 2-Stage



Hex Shaft for Hand Crank (mm)	Frame Dimensions	Recommended Work Surface Dimensions	
	Width (mm)	Width (mm)	Depth (mm)
250	1050~1600	1100~1700	600~850
375	1050~1600	1100~1700	850~1050

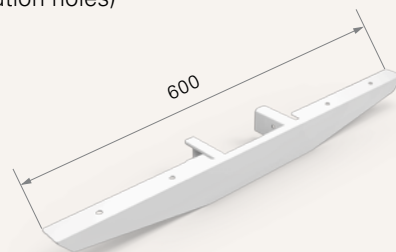
Column Type	Frame Height (mm)	Stroke (mm)
2-Stage	680~1130	450

Load and Speed

CODE	Load Push (N)	Self Locking Force (N)	Lead (mm/turn)	Operating Torque (Nm)	
				No Load	With Load
B	800	800	3	2.5	4
C	800	800	9	4	7

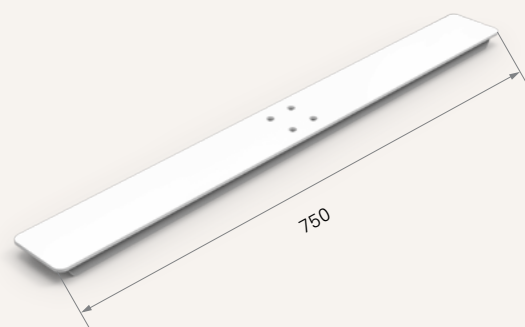
End Pipes (mm)

Style A
(for fixation holes)

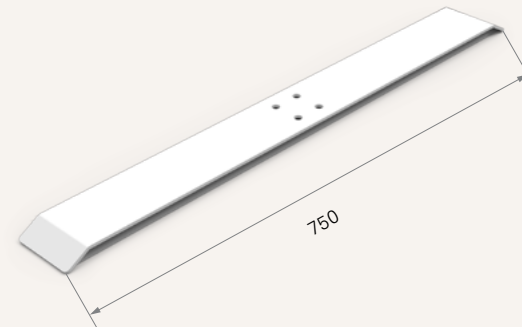


Foot (mm)

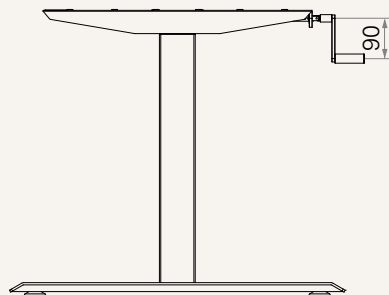
Style A



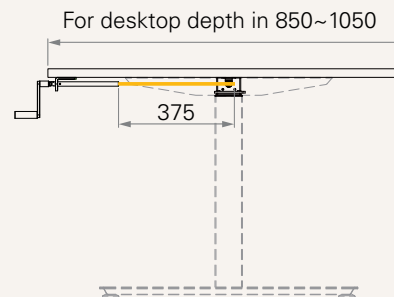
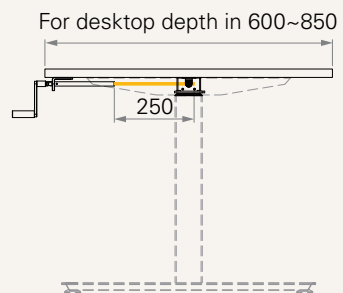
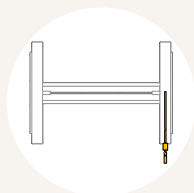
Style B



Hand Crank (mm)



HEX Shaft for Hand Crank (mm)



TEK08

Version: 20170628-B

Load and Speed

[See page 3](#)

Stroke & Retracted length (mm)

1 = Stroke 450, retracted length 680, Standard

Column Spec

1 = Rectangular tube (Big profile at bottom)

Foot (mm)

2 = Style A, thickness 5mm, length 750

3 = Style B, thickness 5mm, length 750 (standard)

Colors

1 = Black (RAL 9005)

2 = Grey (RAL 9006)

3 = White (RAL 9016)

4 = Special grey (RAL 9022)

End Pipe (mm)

1 = Style A, fixation holes, E1 & E2: 600, Standard

Hard Crank (mm)

1 = Metal hand crank, crank length 90

HEX Shaft for Hand Crank (mm)

1 = For desktop depth in 600~850

2 = For desktop depth in 850~1050

Terms of Use

The user is responsible for determining the suitability of TiMOTION products for a specific application. TiMOTION products are subject to change without prior notice.