

# TDH18P

series



## Product Segments

- **Ergo Motion**

## General Features

- Maximum available buttons 5
- 3-digit display shows the height of the desk
- Memory functionality (3 settings)
- Mounted to the desk front side
- Compatible with the TWD1 (Bluetooth adapter)\*
- With 2 USB charging ports and safety lock button
- Especially designed for adjustable height desk application

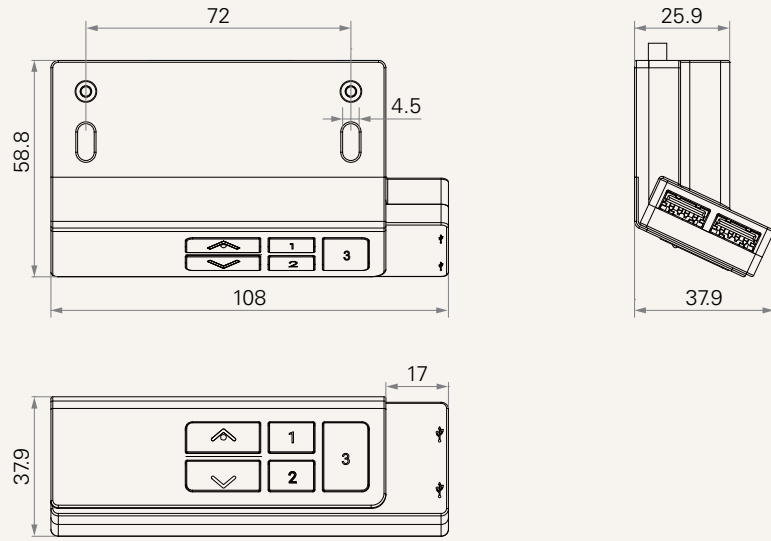
## Note

<sup>1</sup> With TWD1, it can control the desk height remotely via the "STAND UP PLS" app.

# TDH18P Series

## Drawing

Standard Dimensions  
(mm)



# TDH18P Ordering Key

TDH18P

Version: 20190712-D

<b>Plug</b>	6 = RJ 10P flat, 180°		
<b>Front Panel</b>	1 = Black		
<b>Top / Bottom Cover Color</b>	1 = Black	2 = White S	
<b>Logo (Print)</b>	1 = Without	2 = TiMOTION	A = Customized
<b>Button Screen Printing</b>	1 = Option 1- Funtional button: safety lock		2 = Option 2- Funtional button: memory 3
<b>Unit</b>	1 = Metric system (cm)	2 = Imperial system (inch)	
<b>Cable Length (mm)</b>	1 = Straight, 1000		
<b>Anti-Pulling Tube</b>	0 = Without	1 = With	

## Terms of Use

The user is responsible for determining the suitability of TiMOTION products for a specific application. TiMOTION products are subject to change without prior notice.