

TDH17

series



Product Segments

• Ergo Motion

General Features

Maximum available buttons	4
Support two sets of motor control	
- lifting columns*2	
- tilt motor for tabletop*2	
Compatible with the TWD1 (Bluetooth adapter)*	
Option	3-digit display

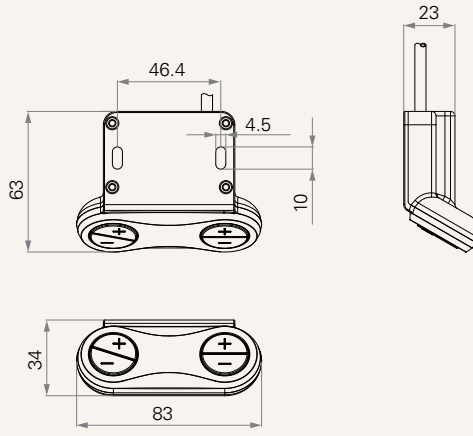
Note

¹ With TWD1, it can control the desk height remotely via the "STAND UP PLS" app.

TDH17 Series

Drawing

Standard Dimensions
(mm)



Plug	1 = RJ 10P, 180°	6 = RJ 10P flat, 180°, standard	
Case Color	1 = Black		
Bottom Color	1 = 381U, Green	A = Customized	
Icon On The Button	1 = S1: +, S2: -, S3: +, S4: -		
Logo (Print)	1 = Without	2 = TiMOTION	A = Customized
LED Display	0 = Without	1 = With, white	
Unit	0 = Without	1 = Metric system (cm)	2 = Imperial system (inch)
Cable Length (mm)	1 = Straight, 1000	2 = Straight, 2000	
Anti-Pulling Tube	0 = Without	1 = With	

Terms of Use

The user is responsible for determining the suitability of TiMOTION products for a specific application. TiMOTION products are subject to change without prior notice.