

TDH15

series



Product Segments

- **Ergo Motion**

TDH15 inherited the look of TH37 but is upgraded to be compatible with extended function. It can now support accessories such as TWD1 and TCS1. The dimension has been enlarged to allow the user find and press the button easier.

General Features

Maximum available buttons 2
 Mounted under the tabletop
 Compatible with the TWD1 (Bluetooth adapter)*

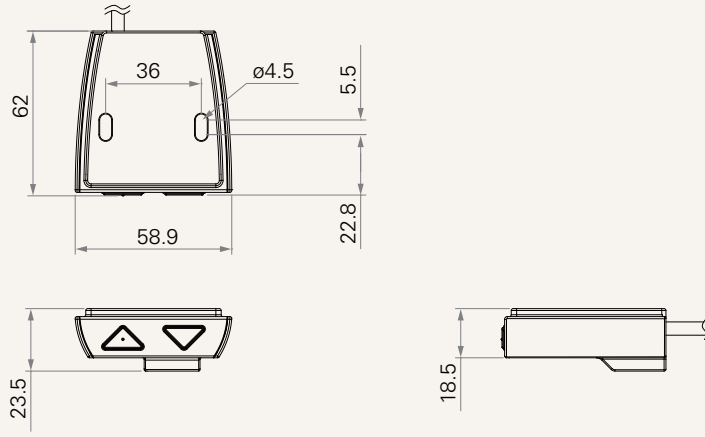
Note

¹ With TWD1, it can control the desk height remotely via the "STAND UP PLS" app.

TDH15 Series

Drawing

Standard Dimensions
(mm)



TDH15

Version: 20180410-A

Plug	6 = RJ 10P flat, 180°	
Case Color	1 = Black	
Color of Plastic Key	1 = Blue (Pantone 5405C) 2 = Deep grey (Pantone 432C) A = Customized	
Logo (Print)	1 = Without	
Cable Length (mm)	1 = Straight, 1000 2 = Straight, 2000	
Anti-Pulling Tube	0 = Without 1 = With	

Terms of Use

The user is responsible for determining the suitability of TiMOTION products for a specific application. TiMOTION products are subject to change without prior notice.