

TDH11P

series



Product Segments

- **Ergo Motion**

Featuring a sleek button layout, TDH11P is a simple yet classic hand control for height adjustable desks. It allows the user to set four preferred heights, and is equipped with a three-digit display. The exceptional design of its interface enhances the user experience. It can work with the Bluetooth adapter-TWD1, controlling the desk height remotely via the "STAND UP PLS" app.

General Features

- Maximum available buttons 6
- 3-digit display shows the height of the desk
- Memory functionality (4 settings)
- Compatible with the TWD1 (Bluetooth adapter)*
- Mounted to the desk front side
- Especially designed for adjustable height desk application
- Unique design

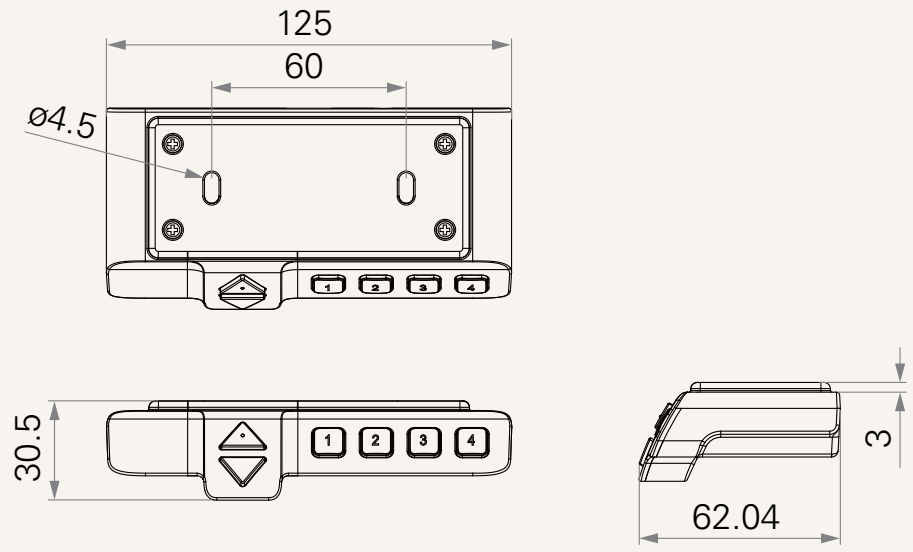
Note

¹ With TWD1, it can control the desk height remotely via the "STAND UP PLS" app.

TDH11P Series

Drawing

Standard Dimensions
(mm)



TDH11P Ordering Key

TDH11P

Version: 20171211-A

Plug	1 = RJ 10P, 180°	6 = RJ 10P flat, 180°	
Color	1 = Black		
Rubber Button Color	1 = Dark grey (Pantone 425C)		
Logo (Print)	1 = Without	2 = TiMOTION	A = Customized
Back Light	0 = Without		
Unit	1 = Metric system (cm)	2 = Imperial system (inch)	
Cable Length (mm)	1 = Straight, 1000	2 = Straight, 2000	
Anti-Pulling Tube	0 = Without	1 = With	

Terms of Use

The user is responsible for determining the suitability of TiMOTION products for a specific application. TiMOTION products are subject to change without prior notice.