

TDH1

series



Product Segments

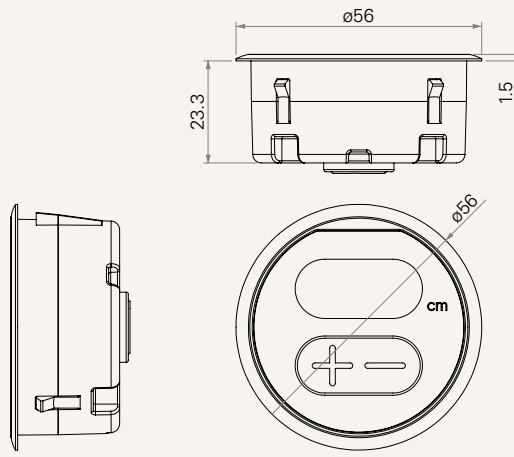
- **Ergo Motion**

General Features

Maximum available buttons	2
Color	Black, grey
3-digit display shows the height of the desk	
Flush mounted on the tabletop	
Especially designed for adjustable height desk application	

Drawing

Standard Dimensions
(mm)



Number of Buttons	2 = 2			
Plug	1 = (Round) RJ 10P, 180°, for TC6, TC9, or extension cable		6 = RJ 10P, 180°, for TC11 / TC15 / TC16, flat	
Color	1 = Black	2 = Grey (Pantone 428C)	3 = Grey (Pantone Grey 7C)	
Cable Length (mm)	1 = Straight, 500	2 = Straight, 1000	3 = Straight, 1500	4 = Straight, 2000

Terms of Use

The user is responsible for determining the suitability of TiMOTION products for a specific application. TiMOTION products are subject to change without prior notice.