

TCR

series



Product Segments

- **Care Motion**
- **Comfort Motion**
- **Ergo Motion**
- **Industrial Motion**

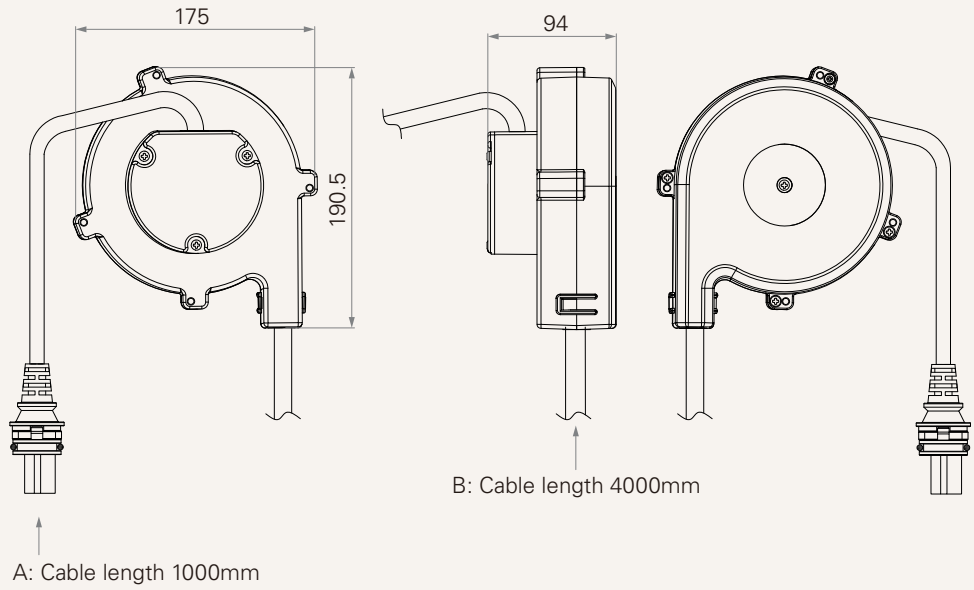
The TCR is a cable reel designed to assist with cable management for the control box's AC cable.

General Features

Angle of AC plug	90° or 180°
Color	Black or grey

Drawing

Standard Dimensions
(mm)



AC Plug Type

CODE Angle of Plug / Number of Pin

	90° / 2pin	90° / 3pin	180° / 2pin	180° / 3pin
1				
2	X			
3	X			
4	X		X	X

TCR

Version: 20170419-C

AC Plug	1 = EU	2 = US	3 = AU	4 = EN
Number of Pin	2 = 2pin Note: please check page 2 for available type		3 = 3pin	
Angle of Plug	1 = 90° Note: please check page 2 for available type		2 = 180°	
Cable Length	3 = Straight, 4000mm			
Color	1 = Black		2 = Grey (Pantone 428C)	

Terms of Use

The user is responsible for determining the suitability of TiMOTION products for a specific application. TiMOTION products are subject to change without prior notice.