

TC2

series



Product Segments

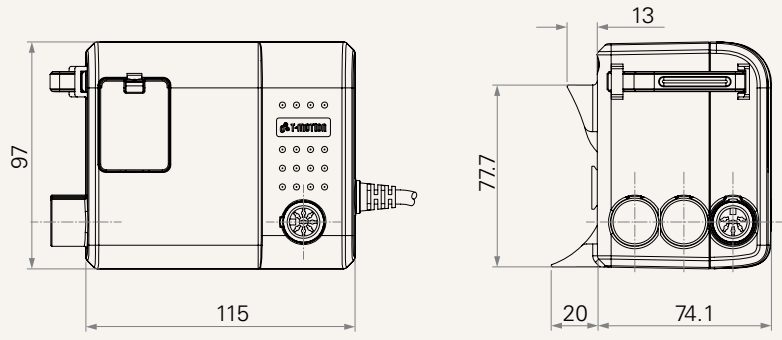
- **Comfort Motion**

General Features

Voltage	100V AC, 120V AC, 230V AC, or 100~240 V AC (SMPS)
Built-in transformer type	EI or SMPS
Maximum output	24V DC, 3A
Plug support	EU, USA, AUS, UK, JPN, or customized
Number of actuators	1~3
Color	Black or grey
Certificate	EMC
Over current protection	

Drawing

Standard Dimensions
(mm)



Voltage	1 = 100V AC	2 = 120V AC	3 = 230V AC	4 = 100~240VAC (SMPS)
Plug	1 = EU 2 = US	3 = AUS 4 = UK	5 = JPN A = Others	
Number of Actuators	1 = 1	2 = 2	3 = 3	
Color	1 = Black	2 = Grey (Pantone 428C)		
Cable Length (mm)	1 = Straight, 2000	2 = Straight, 4000		

Terms of Use

The user is responsible for determining the suitability of TiMOTION products for a specific application. TiMOTION products are subject to change without prior notice.