

TC16

series



Product Segments

- **Ergo Motion**

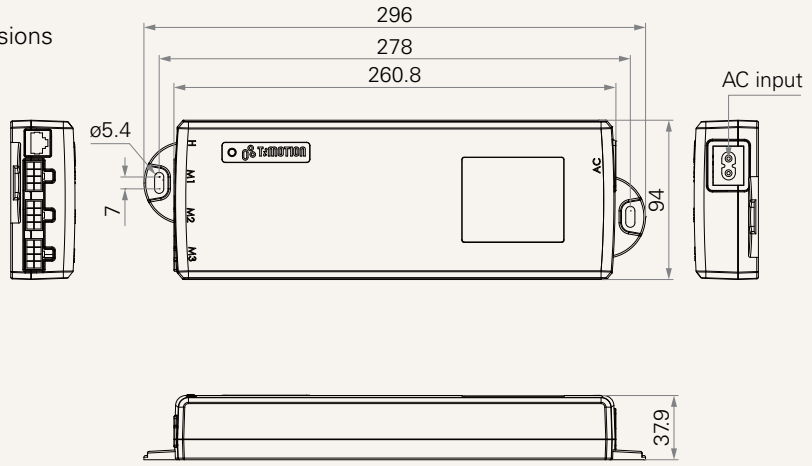
General Features

Built-in transformer type	SMPS
Maximum output	32V DC, 4A
Plug support	EU, USA, AUS, UK, JPN
Number of actuators	3
Color	Black
Certificate	UL508
0.1W standby power consumption	
Especially designed for adjustable height desk application	
Support synchronous movement	

TC16 Series

Drawing

Standard Dimensions
(mm)



TC16

Version: 20160921-E

Plug	1 = EU 2 = USA	3 = AUS 4 = UK	5 = JPN
Color	1 = Black		
Cable Length (mm)	1 = Straight, 1500	2 = Straight, 2000	3 = Straight, 4000
Transformer	1 = SPM-120C (32V/4.0A+5V/100mA, 0.1W standby power, 100-240V) 4 = SPM-73C (32V/2.5A+5V/100mA, 0.1W standby power, 100-240V) 5 = SPM-120 (32V/4.0A, 0.5W standby power, 100-240V) 8 = SPM-73 (32V/2.5A, 0.5W standby power, 100-240V)		

Terms of Use

The user is responsible for determining the suitability of TiMOTION products for a specific application. TiMOTION products are subject to change without prior notice.