

TC15S

series



Product Segments

- **Ergo Motion**

TC15S is new generation control box for height adjustable desk application. TC15S has 2.5A SMPS that can incorporate voltage input from 100V~240V. It has options of built-in t-touch and Bluetooth, and supports 5V / 2.1A charging current for wireless charger & TFA series. TC15S can satisfy all functions needed to power a height adjustable desk.

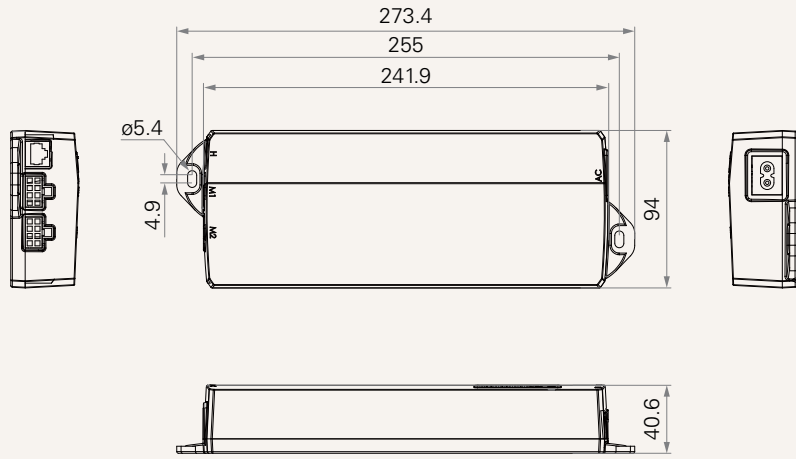
General Features

Built-in transformer type	SMPS
Maximum output	32V DC, 2.5A
Plug support	EU, USA, AUS, UK, JPN
Number of actuators	2
Color	Black
Options	t-touch & Bluetooth built-in functionality
0.1W standby power consumption	
Compatible with wireless / USB charger	
Especially designed for adjustable height desk application	
Support synchronous movement	

TC15S Series

Drawing

Standard Dimensions
(mm)



TC15S

Version: 20190429-C

Transformer	8 = SPM-73 (32V / 2.5A, 0.5W standby power, 100-240V) L = SPM-73Q (32V / 2.5A, 0.1W standby power, quick start, 100-240V)		
Plug	1 = EU 2 = US	3 = AU 4 = UK	5 = JP
Color	1 = Black		
Cable Length (mm)	1 = Straight, 1500	2 = Straight, 2000	3 = Straight, 4000
Control Board	2 = With MCU 3 = With MCU, Bluetooth enabled Note: Above Control boards support charging accessories	4 = With MCU, with T-Touch 5 = With MCU, Bluetooth enabled, with T-Touch	

Terms of Use

The user is responsible for determining the suitability of TiMOTION products for a specific application. TiMOTION products are subject to change without prior notice.