

TC15

series



Product Segments

- **Comfort Motion**
- **Ergo Motion**

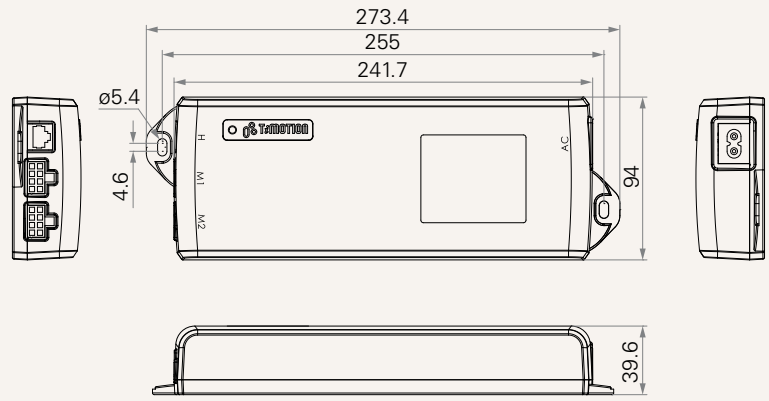
General Features

| | |
|--|-----------------------|
| Built-in transformer type | SMPS |
| Maximum output | 32V DC, 4A |
| Plug support | EU, USA, AUS, UK, JPN |
| Number of actuators | 2 |
| Color | Black |
| Certificate | UL508, SAA, C-Tick |
| 0.1W standby power consumption | |
| Especially designed for adjustable height desk application | |
| Support synchronous movement | |

TC15 Series

Drawing

Standard Dimensions
(mm)



TC15 Ordering Key

TC15

Version: 20190110-H

| | | | |
|-------------|------------------|------------------|--------|
| Plug | 1 = EU 2 = US | 3 = AU 4 = UK | 5 = JP |
|-------------|------------------|------------------|--------|

| | | | |
|--------------|-----------|--|--|
| Color | 1 = Black | | |
|--------------|-----------|--|--|

| | | | |
|--------------------------|--------------------|--------------------|--------------------|
| Cable Length (mm) | 1 = Straight, 1500 | 2 = Straight, 2000 | 3 = Straight, 4000 |
|--------------------------|--------------------|--------------------|--------------------|

| | | | |
|--------------------|--|--|--|
| Transformer | 1 = SPM-120C (32V / 4.0A + 5V / 100mA, 0.1W standby power, 100-240V) 4 = SPM-73C (32V / 2.5A + 5V / 100mA, 0.1W standby power, 100-240V) 5 = SPM-120 (32V / 4.0A, 0.5W standby power, 100-240V) 8 = SPM-73 (32V / 2.5A, 0.5W standby power, 100-240V) | | |
|--------------------|--|--|--|

Terms of Use

The user is responsible for determining the suitability of TiMOTION products for a specific application. TiMOTION products are subject to change without prior notice.