

TC1

series



Product Segments

- **Care Motion**

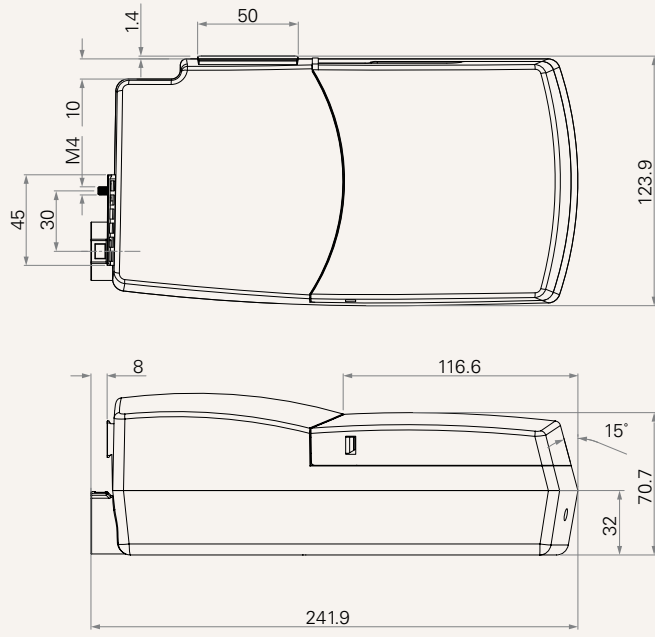
General Features

Voltage	100V AC, 120V AC, 230V AC, or 100~240V AC (SMPS)
Built-in transformer type	EI, Toroidal, or SMPS
Maximum output	30V DC, 5A
Plug support	EU, USA, AUS, UK, or JPN
Number of actuators	1~4
Color	Black or grey
IP rating	Up to IP66
Certificate	IEC60601-1, ES60601-1, IEC60601-1-2

TC1 series

Drawing

Standard Dimensions
(mm)



Voltage	1 = 100V AC	2 = 120V AC	3 = 230V AC	4 = 100~240VAC (SMPS)
Plug	1 = EU 2 = US	3 = AUS 4 = UK	5 = JPN	
Number of Actuators	1 = 1	2 = 2	3 = 3	4 = 4
Color	1 = Black	2 = Grey (Pantone 428C)		
Cable Length (mm)	0 = Without	1 = Straight, 2000	2 = Straight, 4000	
IP Rating	1 = Without	2 = IP54	3 = IP66	
Fixation	1 = On the actuator (TA1) 2 = On the bed frame 3 = On the actuator (TA7)		4 = On the bed frame with a bracket 5 = On the bed frame with brass spacers insert in the cover 7 = On the actuator (TA23 and TA31)	
Grounding	0 = Without	1 = With		
Cord Buckle	0 = Without	1 = With		

Terms of Use

The user is responsible for determining the suitability of TiMOTION products for a specific application. TiMOTION products are subject to change without prior notice.