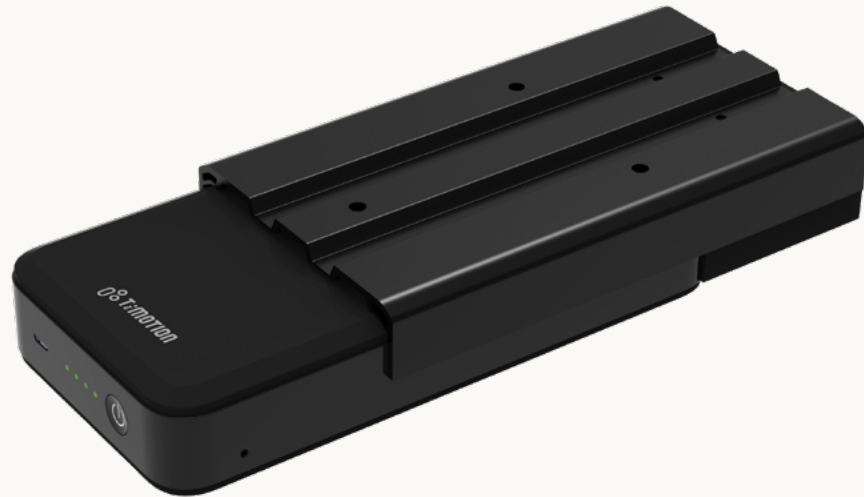


TBB9

series



Product Segments

- **Ergo Motion**

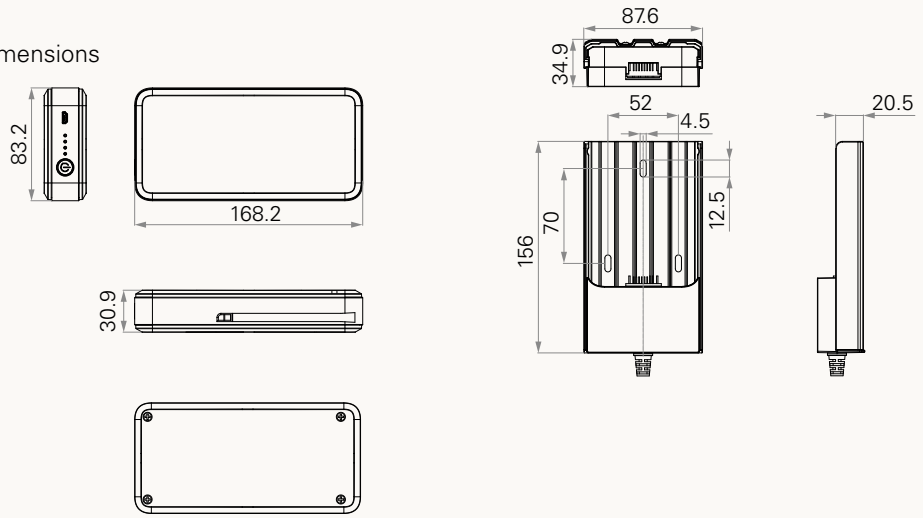
General Features

Battery type	Li-Ion battery
Capacity	2.5Ah / 63Wh
Rated output voltage	25.2V DC
Max output current	15A
Rated input voltage	36V DC (charging cradle), 5V DC(Micro USB)
Charging current	1A (charging cradle), 0.3A(Micro USB)
Weight	490g (without charging cradle)
Ambient conditions during operation	0°C~+40°C at 10%~85% relative humidity
Storage temperature	0°C~+45 °C
Thermal switch and overcurrent protection	
LED indicator and buzzer for battery capacity status	

TBB9 Series

Drawing

Standard Dimensions
(mm)



BB9

Version: 20181214-B

Capacity	1 = 2.5Ah / 15A / 25.2VDC		
Color of Battery	1 = Black		
Logo	0 = Without	1 = TiMOTION	
On / Off Switch	1 = With		
Buzzer	1 = With		
Charging Cradle	0 = Without	1 = With, Black	
Plug	0 = Without	1 = DIN 4P	9 = Molex 4P
Cable Length (mm)	0 = Without	1 = Straight, 1000	2 = Straight, 1500

Terms of Use

The user is responsible for determining the suitability of TiMOTION products for a specific application. TiMOTION products are subject to change without prior notice.