

# TBB8

series



## Product Segments

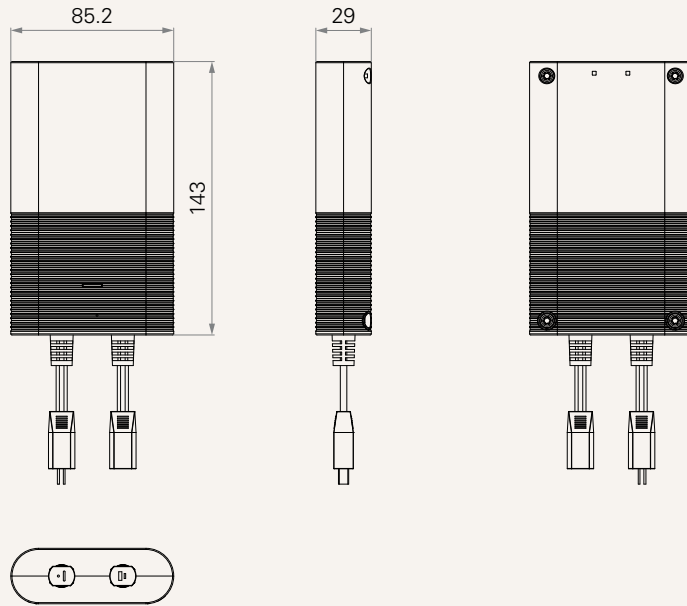
### • Comfort Motion

#### General Features

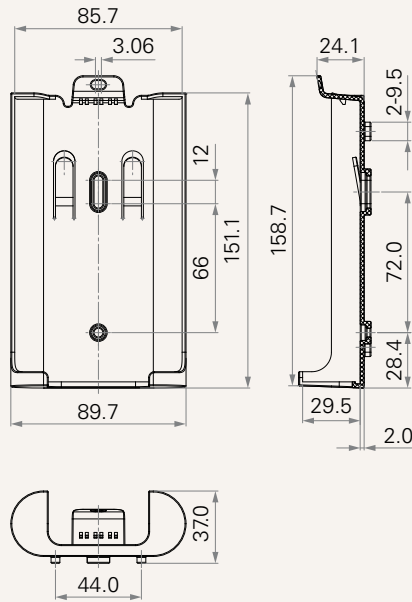
Battery type	Lithium
Capacity	1.5Ah
Input voltage	24V DC
Output voltage	24V DC, 1.5A
Color	Black
LED indication (for charge / discharge status)	
With built-in buzzer	
Low standby power consumption	
Detachable bracket	

**Drawing**

Standard Dimensions  
(mm)



Mounting Bracket  
(mm)



## TBB8

Version: 20180600-D

<b>Input Connector (Plug)</b>	3 = Long DIN 5P	7 = Small 01P
<b>Input Cable Length (mm)</b>	1 = Straight, 100	2 = Straight, 150
<b>Output Connector (Socket)</b>	3 = Long DIN 5P	8 = Small 01P
<b>Output Cable Length (mm)</b>	1 = Straight, 100	2 = Straight, 150
<b>Color</b>	1 = Black	
<b>On / Off Switch</b>	0 = Without	
<b>Buzzer</b>	1 = With	
<b>Mounting Bracket</b>	1 = With. Mounting holes for screw	
<b>IP Rating</b>	1 = Without	2 = IP54

### Terms of Use

The user is responsible for determining the suitability of TiMOTION products for a specific application. TiMOTION products are subject to change without prior notice.