

TBB6

series



Product Segments

- **Care Motion**
- **Comfort Motion**
- **Industrial Motion**

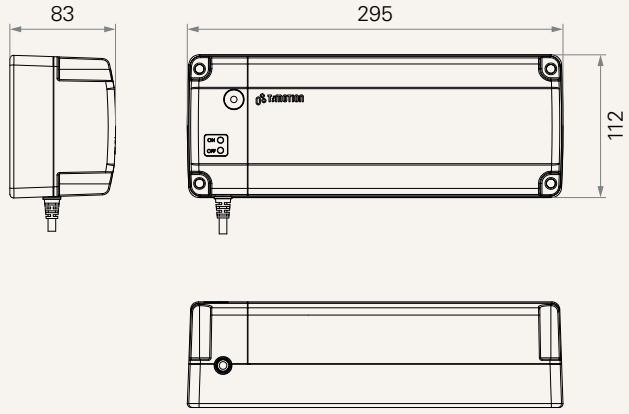
General Features

Battery type	Lead acid
Capacity	2.9 or 5Ah
Input voltage	29~45V DC
Output voltage	24V DC, 2.9 / 5A
Color	Grey
IP rating	Up to IP66W
Certificate	IEC60601-1, ES60601-1
LED indication (for charge / discharge status)	
With built-in buzzer	
Low standby power consumption	

TBB6 Series

Drawing

Standard Dimensions
(mm)



TBB6

Version: 20180626-D

Battery Capacity	1 = 2.9Ah	2 = 5.0Ah		
Color	2 = Grey (Pantone 428C)			
Cable Length (mm)	1 = Straight, 1000	2 = Straight, 2000		
On / Off Switch	1 = With			
Buzzer	0 = Without	1 = With		
IP Rating	1 = Without	2 = IP54	3 = IP66	4 = IP66W

Terms of Use

The user is responsible for determining the suitability of TiMOTION products for a specific application. TiMOTION products are subject to change without prior notice.