

TBB3

series



Product Segments

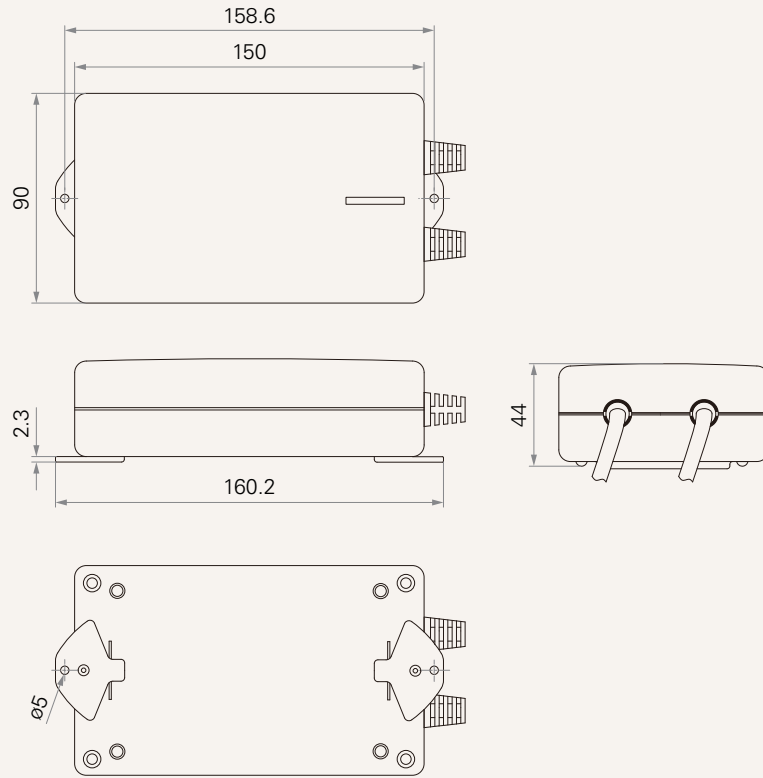
- **Comfort Motion**

General Features

Battery type	Lithium-ion
Capacity	1.8Ah
Input voltage	24~32V DC
Output voltage	25.2V DC, 1.8A
Color	Black or grey
IP rating	Up to IP54
LED indicator (for charge / discharge status)	
Buzzer alarm available	

Drawing

Standard Dimensions
(mm)



TBB3

Version: 20180626-E

Input Connector (Plug)	3 = Long DIN 5P	7 = Small 01P
Input Cable Length (mm)	1 = Straight, 100	2 = Straight, 150
Output Connector (Socket)	3 = Long DIN 5P	8 = Small 01P
Output Cable Length (mm)	1 = Straight, 100	2 = Straight, 150
Color	1 = Black	2 = Grey (Pantone 428C)
On / Off Switch	0 = Without	
Buzzer	1 = With	
IP Rating	1 = Without	2 = IP54

Terms of Use

The user is responsible for determining the suitability of TiMOTION products for a specific application. TiMOTION products are subject to change without prior notice.