

TBB2

series



Product Segments

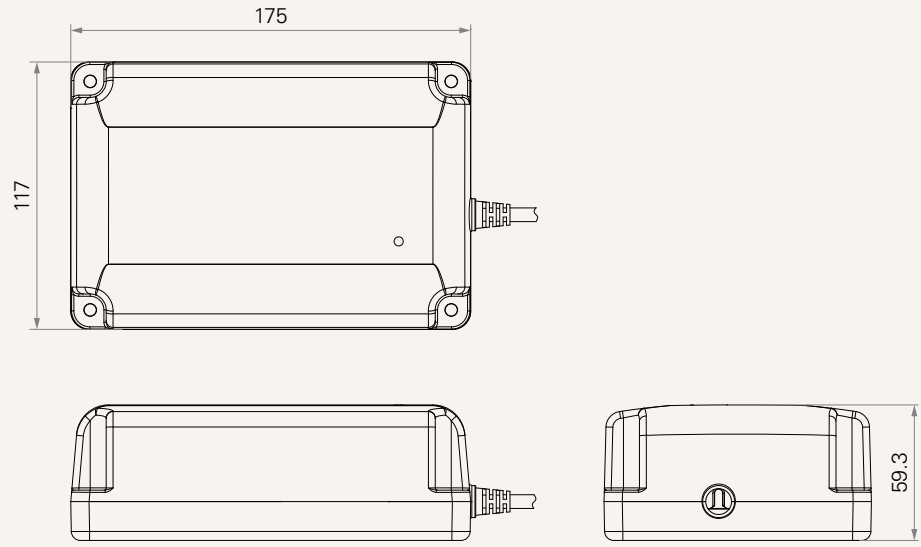
- **Care Motion**
- **Comfort Motion**

General Features

Battery type	Lead acid
Capacity	1.2Ah
Input voltage	29~45V DC
Output voltage	24V DC, 1.2A
Color	Black or grey
IP rating	Up to IP66W
Certificate	IEC60601-1, ES60601-1
LED indication (for charge / discharge status)	

Drawing

Standard Dimensions
(mm)



TBB2

Version: 20180626-E

Color	1 = Black	2 = Grey (Pantone 428C)		
Cable Length (mm)	1 = Straight, 1000	2 = Straight, 2000		
On / Off Switch	0 = Without			
Buzzer	0 = Without	1 = With		
PCBA	1 = General	2 = Power saving function		
Battery	P = Lead-acid	L = Lithium		
IP Rating	1 = Without	2 = IP54	3 = IP66	4 = IP66W

Terms of Use

The user is responsible for determining the suitability of TiMOTION products for a specific application. TiMOTION products are subject to change without prior notice.