

TWVC

series



Product Segments

- **Ergo Motion**

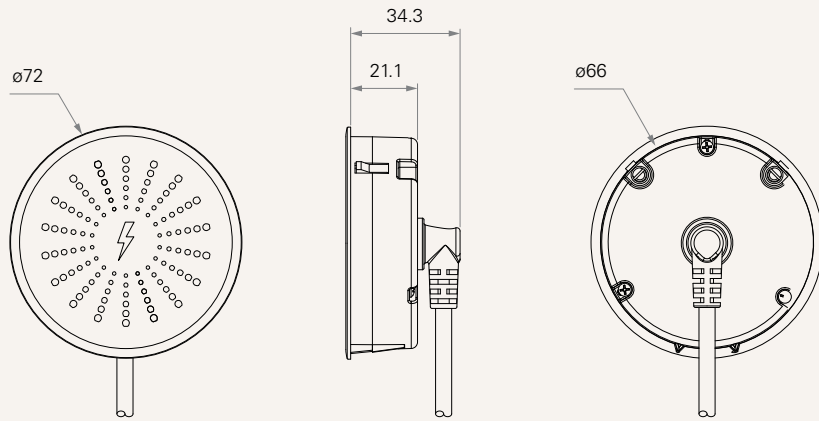
The TWVC is specifically designed for wireless charging of mobile devices. It can be installed on the table top. It needs to work with the mobile devices that support with wireless charging.

General Features

Max. output current	1A
Output voltage	4.7~5.3V
Max. input current	1.5A
Input voltage	4.7~5.3V
Charger type	Qi
Transmit distance	≤ 5mm

Drawing

Standard Dimensions
(mm)



Membrane Type 1 = Type.1

Membrane and Case Color 4 = 877C-based with mirror silver printing + black case, Standard

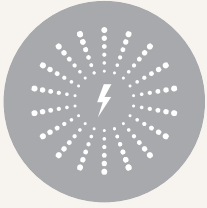
[See page 4](#)

Cable & Connector (mm) 2 = TC: Flat RJ10P (Plug) , 100; TH: Flat, RJ10P (socket) , 100; TWC: Straight, 500

[See page 4](#)

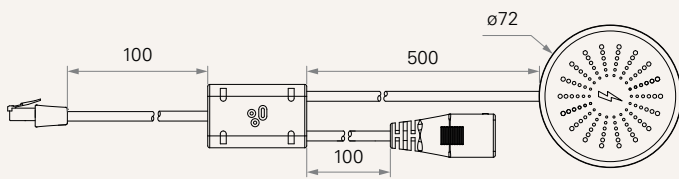
Membrane Color

4 = 877C-based with mirror sliver printing + black case, Standard



Cable & Connector (mm)

2 = TC: Flat RJ10P (Plug) , 100; TH: Flat, RJ10P (socket) , 100; TWC: Straight, 500



Terms of Use

The user is responsible for determining the suitability of TiMOTION products for a specific application. TiMOTION products are subject to change without prior notice.