

TP4

series



Product Segments

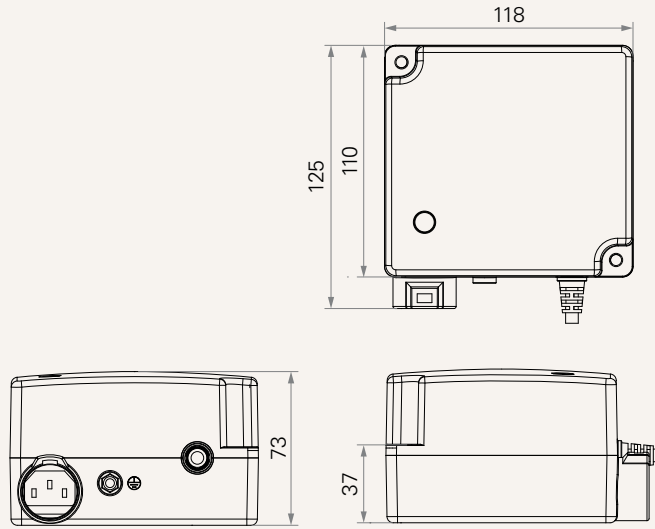
- **Care Motion**

General Features

Transformer type	EI, Toroidal or SMPS
Input voltage	110/120/230V AC, or 100~240V AC (SMPS)
Maximum output	30V DC, 5A
Plug support	EU, USA, AUS, UK, JPN
Color	Black or grey
IP rating	Up to IP66
Certificate	IEC60601-1, ES60601-1

Drawing

Standard Dimensions
(mm)



Voltage	1 = 110V	2 = 120V	3 = 230V	4 = 100~240VAC (SMPS)
Plug	1 = EU 2 = USA	3 = AUS 4 = UK	5 = JPN	
Color	1 = Black	2 = Grey (Pantone428C)		
Cable Length & Plug (mm)	0 = AC cable: straight, 4000; DC cable: straight, 150 (mount on TC8), DIN 5P Male 1 = AC cable: straight, 2000; DC cable: straight, 1000, DIN 5P Male 2 = AC cable: straight, 4000; DC cable: straight, 1000, DIN 5P Male 3 = AC cable: straight, 4000; DC cable: straight, 150, DIN 5P Female 4 = AC cable: straight, 2000; DC cable: straight, 1000, DIN 5P Female 5 = AC cable: straight, 4000; DC cable: straight, 1000, DIN 5P Female 6 = AC cable: straight, 4000; DC cable: straight, 150, 01P Female 7 = AC cable: straight, 2000; DC cable: straight, 1000, 01P Female 8 = AC cable: straight, 4000; DC cable: straight, 1000, 01P Female			
Grounding Function	0 = Without	1 = With		
Transformer	4 = Toroidal (4A)	5 = Toroidal (5A)	6 = SMPS (2.5A)	7 = SMPS (4A)
IP Rating	1 = Without	2 = IP54	3 = IP66	

Terms of Use

The user is responsible for determining the suitability of TiMOTION products for a specific application. TiMOTION products are subject to change without prior notice.