

# TMH13

series



## Product Segments

- **Care Motion**

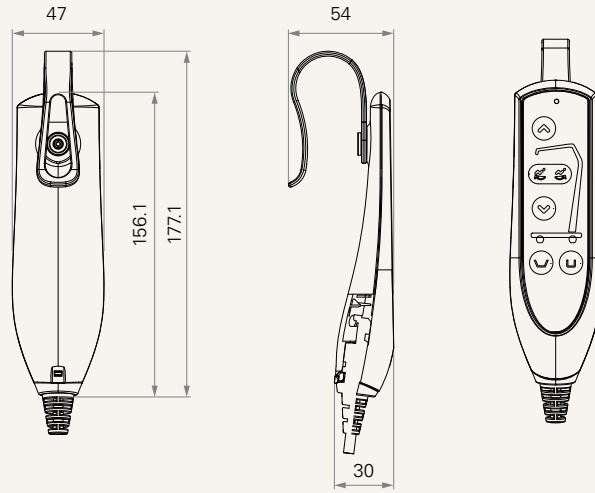
The TMH13 is a newly designed hand control particularly for patient hoist applications. Its slim and compact design enhances the user experiences. Its IP rating is up to IP66W and the handset supports a maximum of 7 buttons.

### General Features

Number of motors	1~3
Max. available buttons	7
Color	White, grey
IP rating	IP66W
Options	Hook
Used for patient hoist system	

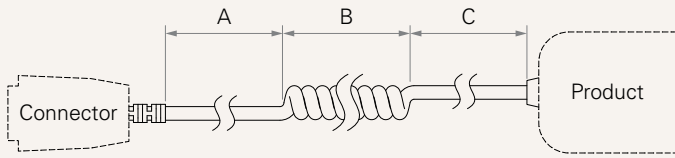
**Drawing**

Standard Dimensions  
(mm)



<b>MCU</b>	0 = Without		
<b>Control Box Type</b>	1 = With MCU control box		
<b>PCBA</b>	1 = General	2 = Power saving function	3 = Patient lift
<b>Button Definition</b>	Note: please contact TiMOTION before making an order		
<b>Backlight</b>	0 = Without		
<b>Safety Key</b>	0 = Without		
<b>Plug</b>	3 = DIN 8P	4 = RJ 10P	
<b>Plug Angle</b>	1 = 90°	2 = 180°	
<b>Cable Length (mm)</b>	0~8 = 0~8 <a href="#">See page 4</a>		
<b>Color</b>	2 = Pantone 428C	3 = White S	
<b>Hook</b>	0 = Without	1 = Standard	4 = Magnetic hook
<b>IP Rating</b>	2 = IP54	3 = IP66	4 = IP66W

## Cable Length



Cable Section (mm)			
CODE	A	B	C
0	0	0	0
1	1000	0	0
2	1500	0	0
3	2000	0	0
4	4000	0	0
5	1000	300	200
6	1200	300	300
7	1400	300	400
8	1000	200	200

## Terms of Use

The user is responsible for determining the suitability of TiMOTION products for a specific application. TiMOTION products are subject to change without prior notice.