

TH26

series



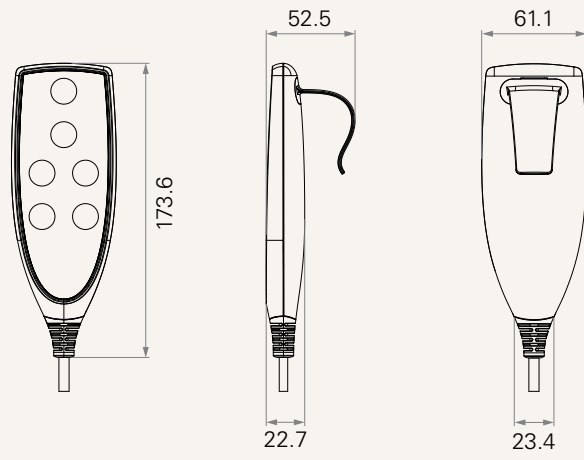
Product Segments

- **Care Motion**

Connected actuators	1~3
Maximum available buttons	6
Color	Black or grey
Protection	Up to IP66
Options	Back light

Drawing

Standard Dimensions
(mm)

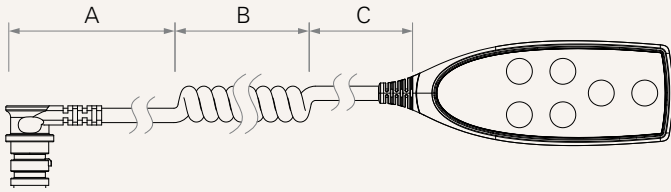


Back Light	0 = Without	1 = With	
Number of Actuators	1 = 1	2 = 2	3 = 3
Plug	1 = DIN 8P, 90°, for TC2/TC3/TC7 2 = RJ 10P, 90°, for TC1/TC8/TC10		4 = DIN 8P, 180°, for extension cable 5 = RJ 10P, 180°, for TC6/TC9/extension cable
Color	1 = Black		2 = Grey (Pantone 428C)
IP Rating	1 = Without	2 = IP54	3 = IP66
Button Definition	1~27 = See appendix* Note : please contact TiMOTION before making an order		
Cable Length (mm)	1~6 = See page 4		
Hook Type	0 = Without		1 = Standard

Terms of Use

The user is responsible for determining the suitability of TiMOTION products for a specific application. TiMOTION products are subject to change without prior notice.

Dimension with Cable Length (mm)



Cable Length (mm)

Code	L1	L2	L3
1	1000	300	200
2	1200	300	300
3	1400	300	400
4	2400	0	0
5	0	600	0
6	1000	200	200

Terms of Use

The user is responsible for determining the suitability of TiMOTION products for a specific application. TiMOTION products are subject to change without prior notice.