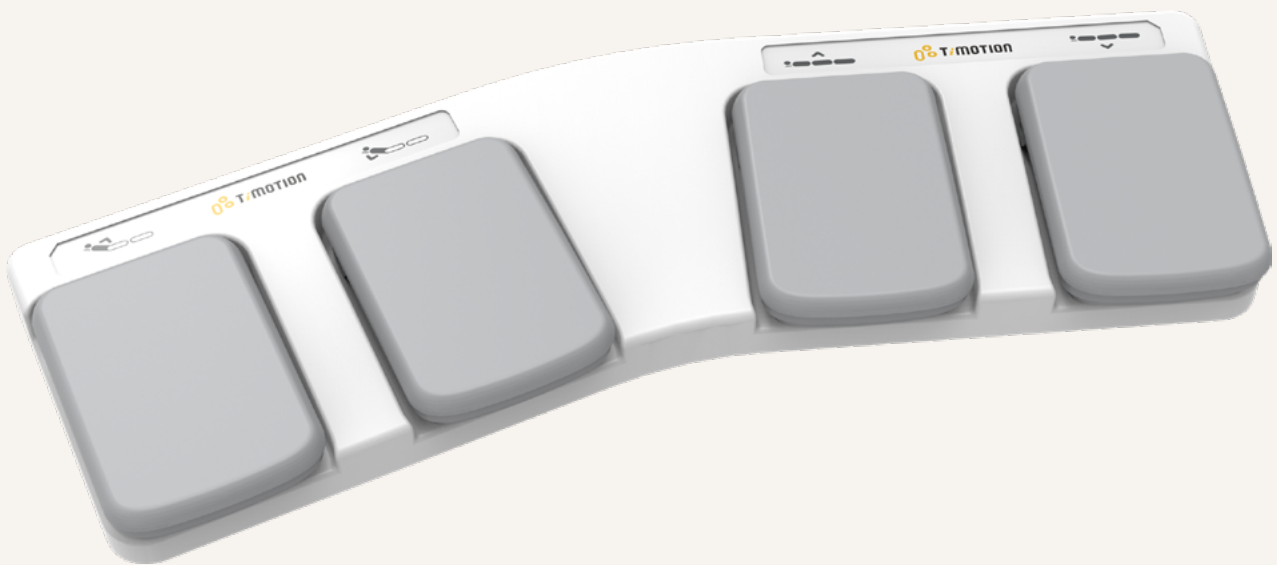


TFS5

series



Product Segments

- **Care Motion**

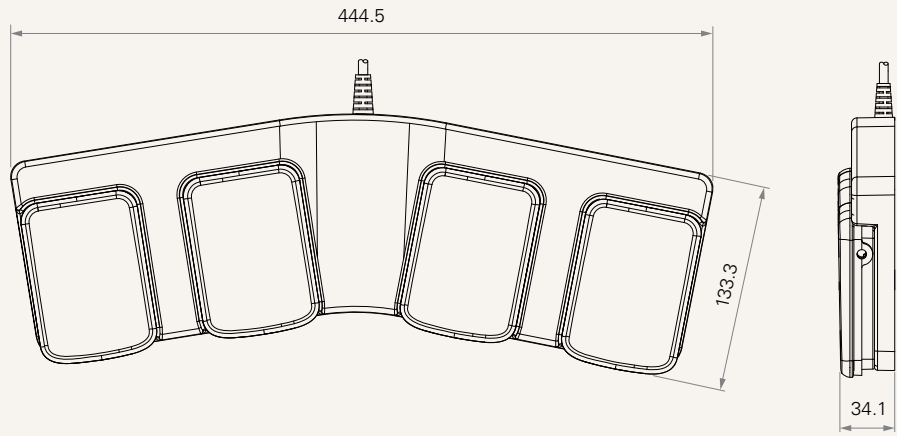
TFS5 is a foot control designed for hospital beds, surgery tables, and exam chair applications. It can be used with cables or wireless controls.

General Features

Max. available buttons	4
Color	Black, grey, white upper case with grey keypad
IP rating	IP66
Options	With back up battery or wireless control

Drawing

Standard Dimensions
(mm)



MCU	0 = Without	1 = With	
Control Box Type	0 = Without MCU	1 = With MCU	D = Direct cut, with TRF
Button Definition	41 = 41		
Wireless	0 = Without (cable)	3 = 2.4 (GHz)	
Plug Type	0 = Without (Wireless) 1 = DIN 8 pin	2 = RJ 10 pin 3 = Long Din 5 pin	4 = Flat RJ 10 pin
Plug Angle	0 = 90°	1 = 180°	2 = Without
Cable Length (mm)	0 = Without (Wireless)	3 = Straight, 1500	
Built-in Backup Battery	0 = Without (Cable) 1 = With battery slot, without battery (Wireless)		2 = With battery slot, 1.5V AAA dry cell *2 pcs (Wireless)
Color	1 = Black	2 = Pantone 428C	3 = Standard: white upper case, Pantone 428C keypad
IP Rating	0 = Without	1 = IP54	2 = IP66

Terms of Use

The user is responsible for determining the suitability of TiMOTION products for a specific application. TiMOTION products are subject to change without prior notice.