

# TFH15

series



---

## Product Segments

- **Comfort Motion**

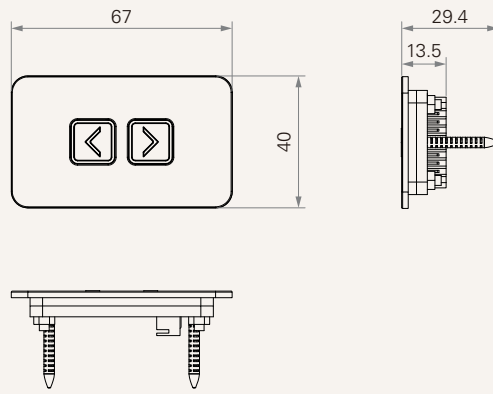
---

## General Features

Max. available buttons	2
Options	Mounting bracket
Metallic finish	
Embedded into the recliner directly	

**Drawing**

Standard Dimensions  
(mm)



<b>Plug</b>	2 = DIN 8P, 90°	4 = DIN 8P, 180°	5 = RJ 10P, 90°	6 = RJ 10P, 180°
<b>Cable Length (mm)</b>	4 = Straight, 1000			
<b>Button Definition</b>	1~3 = See button definition Note: please contact TiMOTION before making an order			
<b>Button Icon</b>	1 = ← →	2 = ↑ ↓		
<b>Mounting Bracket</b>	0 = Without	1 = With		
<b>Color</b>	4 = Silver			
<b>MCU</b>	0 = Without	1 = With		
<b>Control Box Type</b>	0 = Without MCU	1 = With MCU	2 = With MCU (Power saving)	
<b>Communication Type</b>	2 = Switch type	4 = Dual-direction type	6 = T-BUS	

### Terms of Use

The user is responsible for determining the suitability of TiMOTION products for a specific application. TiMOTION products are subject to change without prior notice.