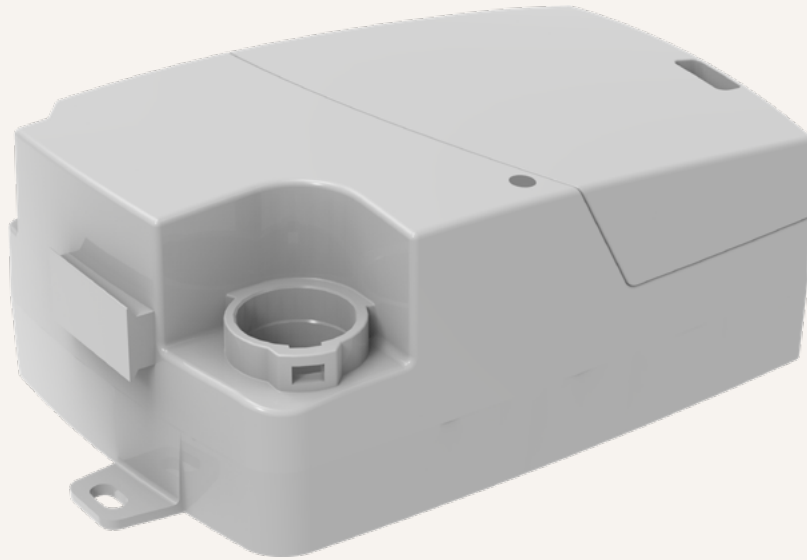


# TC26

series



## Product Segments

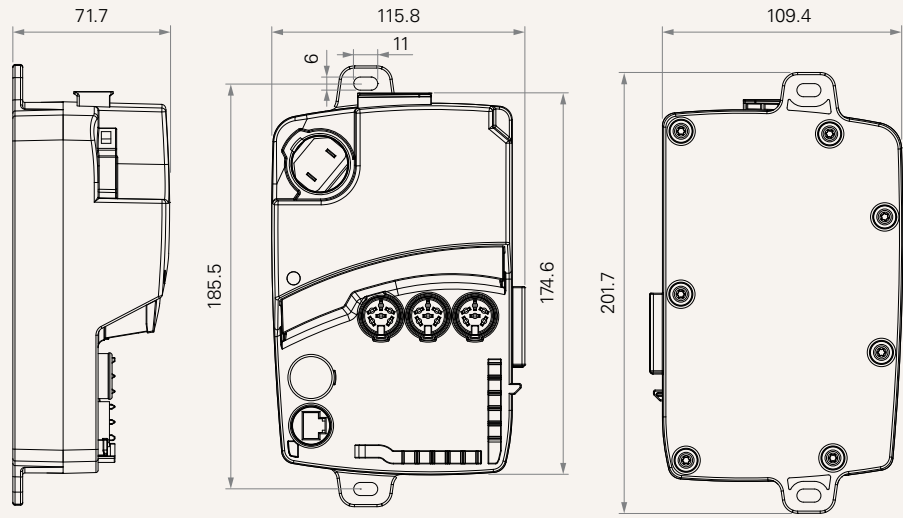
- **Care Motion**

### General Features

Number of motors	1~3
Number of controls	1
Max. output	32V DC, 6A
IP rating	IP66
Options	Supports external battery, cord buckle, buzzer
Input voltage	100, 110, 120V AC, 220~240V AC, or 100~240V AC (SMPS)
Built-in transformer type	EI, SMPS
Plug support	EU, USA, AUS, UK, or JPN
Color	Grey

**Drawing**

Standard Dimensions  
(mm)



<b>Input Voltage</b>	1 = 100VAC 2 = 110VAC	3 = 220~240VAC 4 = 120VAC	5 = 100~240VAC (SMPS)
<b>Transformer</b>	9 = EI (3A)	T = SPM-72MC	
<b>MCU</b>	0 = Without	1 = With	
<b>Number of Actuators</b>	1 = 1	2 = 2	3 = 3
<b>Number of Controls</b>	1 = 1		
<b>Channel for TBB</b>	0 = Without	1 = With	
<b>Grounding</b>	0 = Without	3 = On AC cable	
<b>AC Plug</b>	1 = EU 2 = US	3 = AU 4 = UK	5 = JP
<b>AC Plug Angle</b>	1 = 90°	2 = 180°	
<b>AC Female Plug Angle</b>	1 = 90°		
<b>AC Cable Length (mm)</b>	3 = Straight, 2000	4 = Straight, 4000	
<b>Cord Buckle</b>	0 = Without	1 = With	
<b>Buzzer</b>	0 = Without	1 = With	
<b>Color</b>	2 = Pantone 428C		
<b>Fixation</b>	1 = On the bed frame 4 = On the actuator (TA1)	6 = On the actuator (TA7) 7 = On the actuator (TA23)	8 = On the actuator (TA31)
<b>IP Rating</b>	0 = Without	1 = IP54	2 = IP66

### Terms of Use

The user is responsible for determining the suitability of TiMOTION products for a specific application. TiMOTION products are subject to change without prior notice.