

# TC21

series



## Product Segments

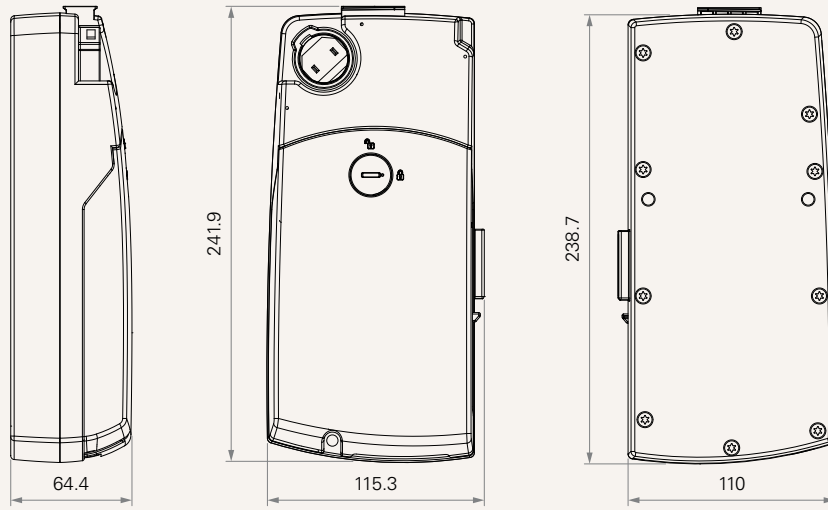
- **Care Motion**

## General Features

Number of motors	1~5
Number of controls	1~2
Max. output	32V DC, 10A
IP rating	IP66W
Input voltage	100-240V AC
Built-in transformer type	SMPS
Certificate	IEC60601-1, IEC60601-1-2
Color	Black or grey
Compatible with TRF2- wireless receiver, TRL-reading light, or TBL- bed bottom light	

**Drawing**

Standard Dimensions  
(mm)



<b>Input Voltage</b>	4 = 100~240V AC		
<b>Transformer</b>	7 = SPM-72MA; rated output current 8A 9 = SPM-120MA; rated output current 10A	M = SPM-120MB; rated output current 10A. With Harmonic solution	
<b>MCU</b>	0 = Without	1 = With	
<b>Number of Actuators</b>	1 = 1 2 = 2	3 = 3 4 = 4	5 = 5
<b>Number of Controls</b>	1 = 1	2 = 2	
<b>Channel for TBB</b>	0 = Without	1 = With	
<b>Buzzer</b>	0 = Without	1 = With	
<b>Grounding</b>	0 = Without	3 = On AC cable	
<b>AC Plug</b>	1 = EU 2 = US	3 = AU 4 = UK	5 = JP
<b>AC Plug Angle</b>	1 = 90°	2 = 180°	
<b>AC Female Plug Angle</b>	1 = 90°		
<b>AC Cable Length (mm)</b>	0 = Without	3 = Straight, 2000	4 = Straight, 4000
<b>Cord Buckle</b>	0 = Without	1 = With	
<b>Color</b>	1 = Black	2 = Grey (Pantone 428C)	
<b>Fixation</b>	1 = On the bed frame 4 = On the actuator (TA1)	6 = On the actuator (TA7) 7 = On the actuator (TA23)	8 = On the actuator (TA31)
<b>Cover Lock</b>	1 = "—" type		
<b>IP Rating</b>	0 = Without	1 = IP54	2 = IP66 3 = IP66W

### Terms of Use

The user is responsible for determining the suitability of TiMOTION products for a specific application. TiMOTION products are subject to change without prior notice.