

TC16P

series



Product Segments

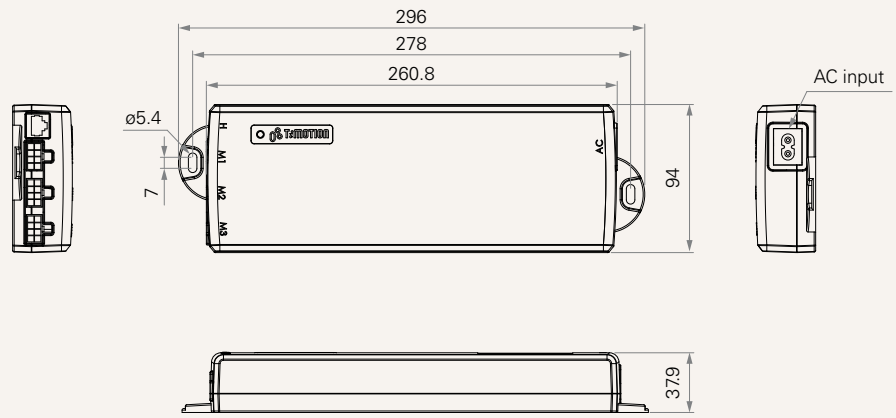
- **Comfort Motion**
- **Ergo Motion**

General Features

Number of motors	3
Max. output	32V DC, 4A
Options	Supports t-touch/Bluetooth built-in, charging accessory
Built-in transformer type	SMPS
Certificate	UL508
Plug support	EU, USA, AUS, UK, or JPN
Color	Black
0.1 or 0.5W standby power consumption	
Compact design for height adjustable desks	

Drawing

Standard Dimensions
(mm)



TC16P

Version: 20200707-B

Transformer	K = SPM-120QC (32V/4.0A + 5V/100mA, 0.1W standby power, quick start, 100-240V) S = SPM-120Q (32V/4.0A, 0.5W standby power, quick start, 100-240V)		
Plug	1 = EU 2 = US	3 = AU 4 = UK	5 = JP
Color	1 = Black		
Cable Length (mm)	1 = Straight, 1500	2 = Straight, 2000	3 = Straight, 4000
Control Board	2 = With MCU 3 = With MCU, Bluetooth enabled	4 = With MCU, with T-Touch 5 = With MCU, Bluetooth enabled, with T-Touch	

Terms of Use

The user is responsible for determining the suitability of TiMOTION products for a specific application. TiMOTION products are subject to change without prior notice.