

TBB5

series



Product Segments

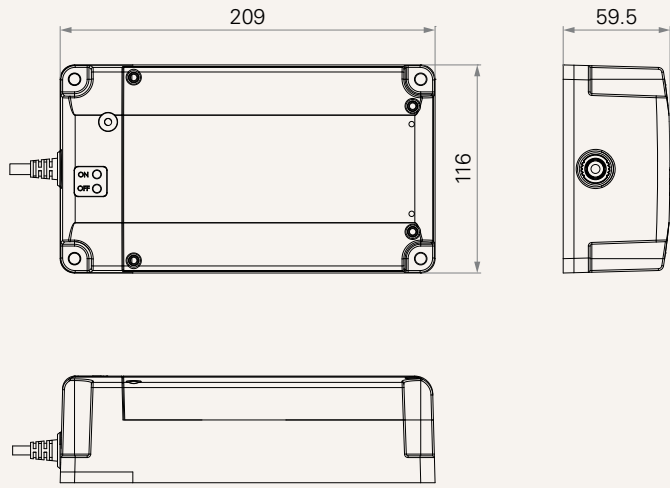
- **Care Motion**
- **Comfort Motion**
- **Industrial Motion**

General Features

Battery type	Lithium iron
Capacity	4Ah
Input voltage	29~40V DC
Output voltage	25.6V DC, 4A
IP rating	Up to IP66W
Certificate	UN38.3, IEC62133-2:2017
LED indication (for charge / discharge status)	

Drawing

Standard Dimensions
(mm)



TBB5 Ordering Key

TBB5

Version: 20180626-D

Buzzer	0 = Without	1 = With	
Cable Length (mm)	1 = Straight, 1000	3 = Straight, 2000	
Color	1 = Black	2 = Grey (Pantone 428C)	
On / Off Switch	1 = With		
IP Rating	2 = IP54	3 = IP66	4 = IP66W

Terms of Use

The user is responsible for determining the suitability of TiMOTION products for a specific application. TiMOTION products are subject to change without prior notice.